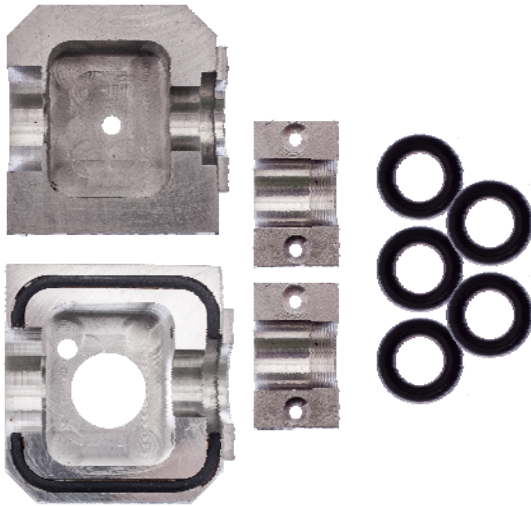
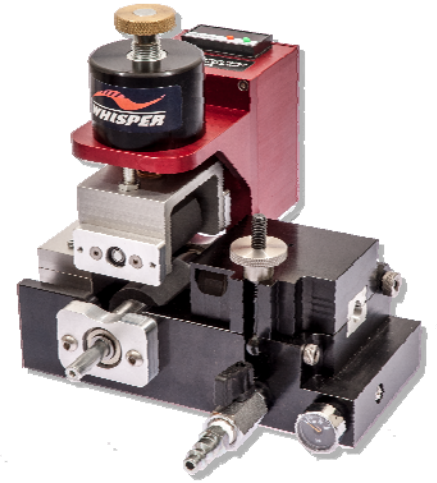


GMP Whisper Configuration

In order to customize your new "Whisper" to your application, we ask that you pick, one each from the lists below, the Tube Collet Assembly P/N and the Cable Seal Collet Assembly P/N. When ordering, please have Tube and Cable dimensions available.

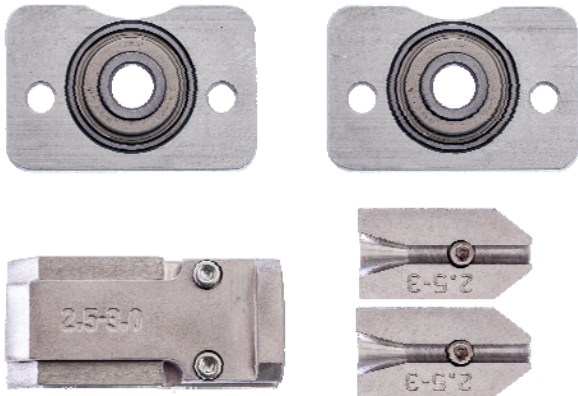


TUBE COLLET AND CLAMP ASSEMBLIES

89918	4mm O.D.
89919	5mm O.D.
89926	7mm O.D.
89927	8mm O.D.
89920	8.5mm O.D.
89922	10mm O.D.
89923	12mm O.D.
89921	12.7mm O.D.
89928	14mm O.D.
89925	16mm O.D.
89924	18mm O.D.

SPARE TUBE SEAL O RING (5 Pack)

89556	4mm
89549	5mm
89553	7mm
89550	8 - 8.5mm
89551	10mm
89552	12 - 12.7mm
89555	14mm
89554	16mm
89558	18 mm



CABLE SEAL COLLET ASSEMBLY

89930	2.0 - 2.5mm
89931	2.5 - 3.0mm
89932	3.0 - 3.8mm
89933	3.8 - 5.0mm
89934	5.0 - 6.4mm
89935	6.4 - 8.5mm

SPARE CABLE SEAL (5 Pack)

89509	2.0 - 2.5mm
89510	2.5 - 3.0mm
89511	3.0 - 3.8mm
89512	3.8 - 5.0mm
89513	5.0 - 6.4mm
89514	6.4 - 8.0mm
89515	8.0 - 8.5mm

used with 89930, 89931
89932 and 89933



used with 89934 and 89935



Flat Drop Kits

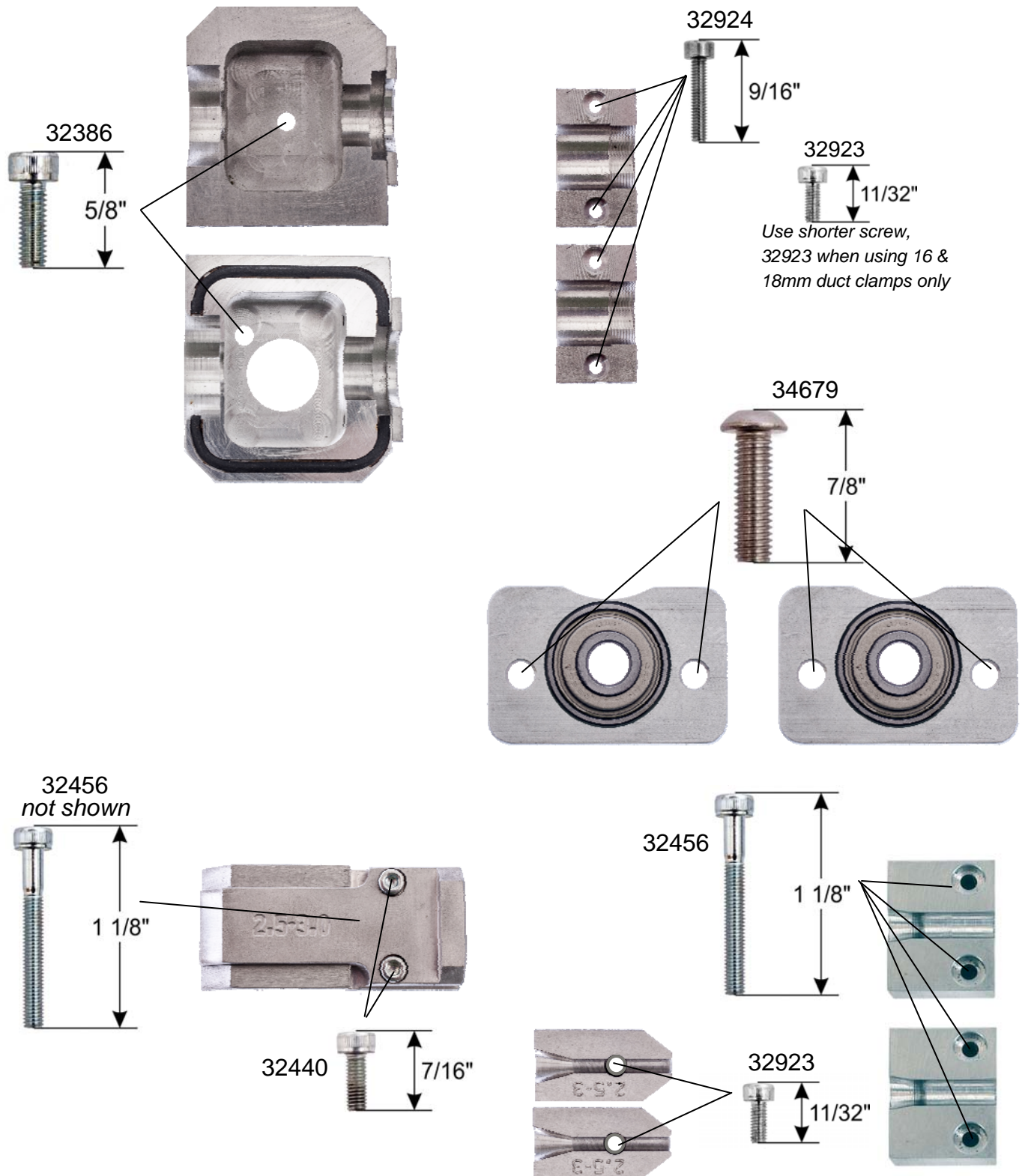
FLAT DROP KITS

89952	Corning SST Flat Drop
89504	SST Spare Seals Toneable (3 pk)
89505	SST Spare Seals Non-Toneable (3 pk)



GMP Whisper Configuration

Replacement Hardware



General Machine Products Co. 3111 Old Lincoln Highway Trevose, PA 19053 USA

GMP Whisper Tool Kit



32604



89691



32906



36079

89588



30069

34757

