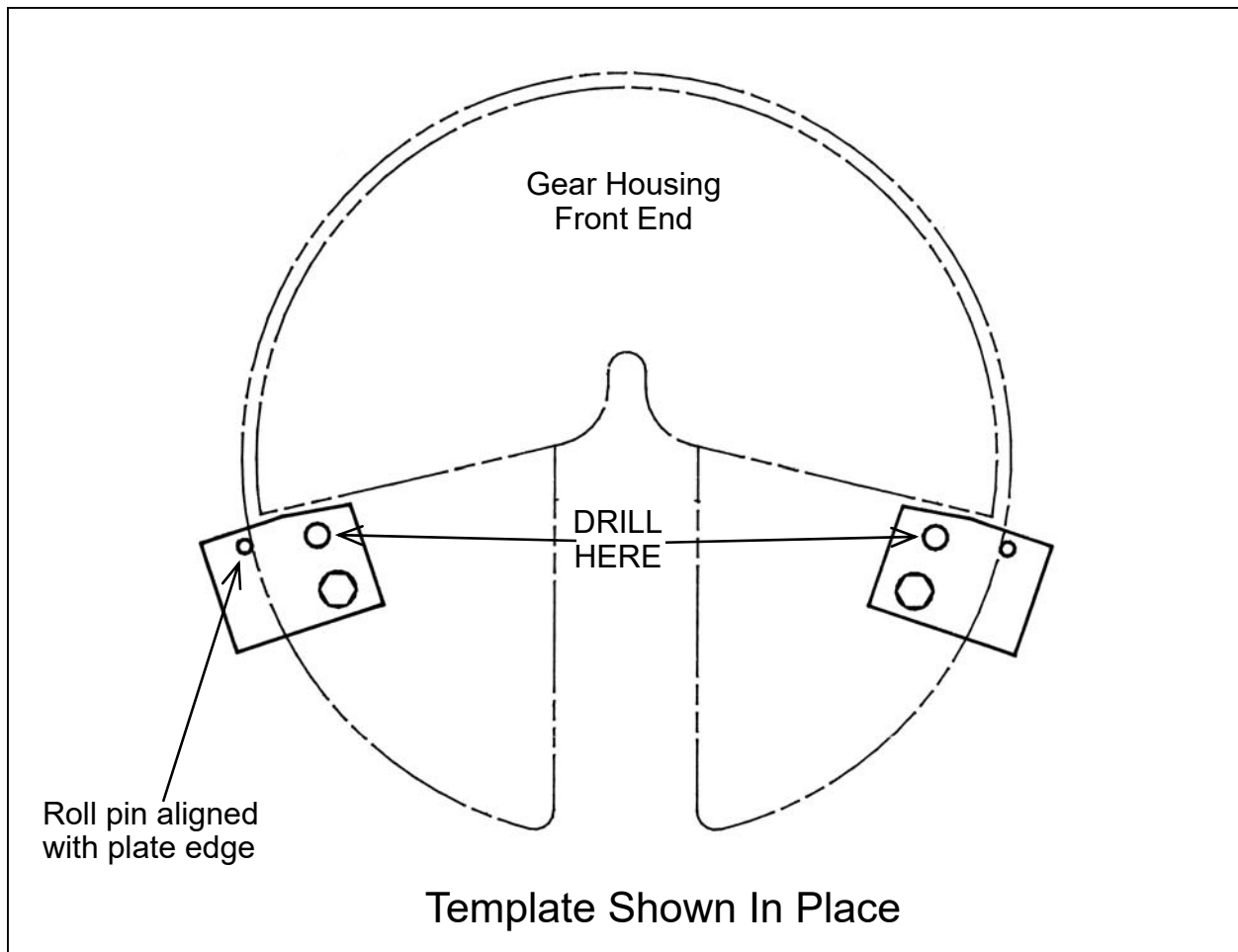


C LASHER GUARD TEMPLATE KIT

P/N 70013



About Your Kit

Each kit contains the following:

- One template
- Two (2) 3/8-16 X 5/8" mounting bolts

To use this kit, you'll also need to assemble the following tools:

- Standard power drill
- 5/16" drill bit
- Tap wrench
- 3/8-16 tap

Modification Procedure

Place the large hole on the template over the left nut on your C Lasher, and align the roll pin with the edge of the plate.

Drill a 5/16" \varnothing hole through the template's hole indicated above, and remove the template. Tap the hole for a 3/8-16 thread.

Reverse the template and perform the same steps on the right side. Mount the Lasher Guard onto your C Lasher using the bolts in this kit.



GENERAL MACHINE PRODUCTS (KT), LLC

3111 Old Lincoln Highway
Trevose, PA 19053
Tel: 215-357-5500
Fax: 215-357-6216
Email: info@gmptools.com
www.gmptools.com