



POWERED DUCT ROD PUSHER

OPERATION & MAINTENANCE



89004 – USA

POWERED DUCT ROD PUSHER

Copyright 2017 by General Machine (KT), LLC

QC Final Inspection by: _____ Date: _____

Unit Serial Number: _____

Build Date: _____

All rights reserved. No part of this publication may be copied, reproduced or transmitted in any form whatsoever without the written permission of General Machine Products (KT), LLC



GMP • 3111 Old Lincoln Hwy • Trevose, PA 19053 • USA
TEL: +1-215-357-5500 • FAX: +1-215-357-6216 • EMAIL: info@gmptools.com

July 12 2017 USA Ver 3a
Manual P/N 32297

REVISION HISTORY

Rev #	Date	Details	Author
01	07.27.05	Original issue	A. Sibun
02	10.16.08	US Version 1	A. Korschak
03	05.26.09	US Version 2	A. Korschak
04	08.29.09	US Version 3	A. Korschak
05	07.12.17	US Version 3a - Changed Company Name	A. Korschak

GMP product warranty can be found at <http://www.gmptools.com/warranty/>

CONTENTS

1. Safety Instructions
2. Critical Points
3. General Description
4. Specification
5. Operating procedures
6. Maintenance
7. Procedure for Replacement of Chain Drives
8. Procedure for Replacement of sub-duct clamp collets
9. Procedure for Adjusting the sub duct clamp and collet type rod infeed guide assembly height
10. Monthly Service – Check List
11. Service History Record
12. Troubleshooting Guide
13. Recommended Spares List

APPENDICES

Appendix 1 Layout of Rod Pushing Machine

Appendix 2 Drawing – Rod Pushing Machine

Appendix 3 Hydraulic & Electrical Panel Layout

Appendix 4 Counter programming parameters

Warranty

INTRODUCTION



Founded by engineer George M. Pfundt in 1936, GMP started operations in a downtown Philadelphia building as a specialty machine shop doing work for the local Bell Telephone company and for the electric utility company. GMP expanded to a production shop after landing a contract with Western Electric Company and, subsequently, forming a close relationship with Bell Telephone Laboratories in Murray Hill, N.J., which enabled it to manufacture prototypes of products for experimental use within the Bell System.



Having outgrown the original factory building, the company built a 100,000 square foot plant in Trevoose, PA (a Philadelphia suburb) and moved there in 1957. Today GMP is recognized as a premier worldwide supplier of specialty tools and equipment for the outside plant marketplace. The company's products are known for their robust design and durability to withstand many years of frequent use.



1. SAFETY INSTRUCTIONS

This Equipment should be used only by personnel who have been given the appropriate training and who are competent to use it.

These instructions are to be made available to operators of this equipment at all times. Failure to observe these safety instructions could result in serious personal injury and/or property damage.



CAUTION:

This machine is designed to work with one piece, continuous rod with no breaks. Rods that have been repaired and have a coupling at any point along its length, cannot be used since the coupling cannot safely pass through the Duct Rod Pusher.

FAILURE TO DO SO MAY RESULT IN PERSONAL INJURY

WORK AREA AND GENERAL SAFETY

1. Read and understand the operation and maintenance manual supplied with this equipment. Keep it in a convenient place for future reference.
2. Keep children and untrained personnel away from this equipment while in operation.
3. Keep all guards and safety devices in place. Do not operate this equipment with guards removed or damaged.
4. Keep hands, feet and loose clothing away from moving parts, especially at cable entry points.
5. Always stop the machine and isolate hydraulic and electrical services to carry out lubrication and servicing.
6. Check machine before starting for worn or damaged parts. Check for signs of loose nuts and bolts etc.
7. If machine is left unattended, insure that unauthorized use is prevented.
8. Never leave the machine unattended while in use.
9. Consider the use of safety barriers, especially when used in public places, observe all statutory requirements for working environments.
10. Beware of pinch points involved with rotating components.
11. Beware of hot surfaces, machine uses hydraulics.
12. When operating machine always wear eye protection, hard hat, safety shoes and leather gloves, machine operates with hydraulic oil at 2030 psi.

13. Some component and assembly parts are in excess of 55 lbs. (25kg) . When lifting care must be taken, insure sufficient man power/lifting gear is available, to prevent personal injury and damage to the machine. Beware of exposed electrical contacts. Do not touch, or allow metal objects to come into contact.
14. Prior to installation insure the sub-duct route is connected properly.
15. Beware of exposed electrical contacts. Do not touch. Or allow metal objects to come into contact. Waste hydraulic oils are to be disposed of via an environmentally acceptable method.
16. Wear hearing protection when noise level are above acceptable limits. To reduce noise, position Power Pack away from user.
17. Machine may cause additional fire hazard if involved in an existing fire due to hydraulic oils.
18. No personnel are to be in manholes or ducts when the duct rod pusher is in operation.
19. The machine must be operated on firm ground.
20. Stay clear of rods or lines under tension.
21. Only use the machine for its intended purpose.
22. Do not place duct rod carrier too close to the powered duct rodder.
23. Do not tamper with pressure relief valves or pressure reducing valves.
24. Never operate the rod pushing machine with the electronic control panel immersed in water.
25. To prevent damage to the hydraulic hoses and the emergency stop cable never leave them on the ground when not in use.

GENERAL HYDRAULICS SAFETY INSTRUCTIONS

Escaping fluids under pressure can penetrate the skin and cause serious personal injury. Observe the following precautions to avoid hydraulic hazards: -

1. Insure all hydraulic connections are securely tightened before operating the machine.
2. Check for leaks with a piece of cardboard. **Do not use your hands!**
3. Do not exceed working pressure of hydraulic hoses.
4. Visually inspect hoses regularly and replace if damaged.

GENERAL ELECTRICAL SAFETY INSTRUCTIONS

The machine has electronic and electrical power and control circuits. Electric shock hazards exist that could result in severe personal injury. Observe the following precautions to avoid electrical hazards:

1. Do not operate in water.
2. Do not expose the machine to rain.
3. Do not remove cover of electronic control assembly.
There are no user serviceable parts inside.
4. Refer servicing to qualified service personnel.

2. CRITICAL POINTS THAT DRAMATICALLY AFFECT THE OPERATION OF THE ROD PUSHING MACHINE

- a. Two (2) turns on the rod clamping screw.
- b. Tractor drive to be closed at all times when rod is installed into machine.
- c. Sub-Duct clamp height adjustment correctly set.
- d. Rod in-feed bracket height adjustment correctly set.
- e. Sub-duct fully connected.
- f. Rod drum must be located directly behind and in line with the pushing machine.
- g. Sub-duct clamp, tractor drive belts/chains, housing framed and rod guide intake assembly must be clean and free from debris, sludge, dirt, water and lubricant. (Each time the pushing machine is used.)
- h. The hydraulic pressure should be between 290-580 PSI at the start of an installation. If greater do not proceed. Check rod clamping screw setting, sub-duct, rod, rod collet sizes, sub-duct clamp/in-feed guide height setting. Rectify before re-commencing the installation.
- i. Lubricate the drive chains before use.
- j. Do not repeatedly press the on/off button on the length/speed readout. This may result in irrelevant digits being displayed or may alter the program. Always fit the hydraulic hose dust caps when the hose is not in use, clean and check the quick release couplings before use.

NOTE:

This machine is primarily designed to work with the GMP 1/2 Duct Rodder. Other manufacturer's Duct Rodders may be able to be modified to work. Please contact the factory for details.

3. GENERAL DESCRIPTION

The Duct Rod Pushing machine has been designed to provide an effective and safe method of rod installation and removal. The system installs rod of 1/2" overall diameter at up to 130 ft/min into pre-installed sub-ducts.

The machine is protected by preset pressure relief valve and preset pressure sensor.

The hydraulically powered rod feed system controls the rod. The electronic control system displays speed, distance, direction and the preset pressure sensor provides automatic protection against duct obstruction.

The system comes mounted on a sturdy anti-corrosion, height adjustable, wheeled, tubular steel trolley unit for ease of site maneuverability, and is powered by a hydraulic supply system operating at 2030 psi x 5.3 gallons/min.

The rod pushing unit can be easily detached from the trolley and located in a trench or manhole (depending on the size of the manhole).

The unit is supplied with two (2) x hydraulic hoses x 23 feet and a 26 foot long emergency stop lead.

FEATURES

Fully labeled control panel containing:

- Power ON/OFF button
- Emergency Stop Button
- Installation speed and direction readout in m/min or ft/min through a separate calibration
- Length counter tracking in feet or meters through a separate calibration
- Hydraulic pressure display gauge
- Hydraulic on/off control valve
- Emergency stop connection socket
- Adjustable speed control for drive belts
- Battery Charging Connection

Control panels are anti corrosion treated and may be removed independently for repair work.

CHASSIS

- Front mounted wheels for ease of maneuverability
- Light painted tubular steel frame
- Adjustable frame allowing unit to be tilted at 20° to manhole
- Adjustable legs for uneven terrain
- Detachable rod pushing unit for trench / manhole location

ROD FEEDER

- Manufactured from cast aluminum
- Hydraulically powered
- Unit lifts and splits to allow insertion of rod between drive belts
- Drive belts are polyurethane and molded to unit ensuring long life between replacements.
- Lifting hook built into adjustable jack screw to allow unit level lift.
- Belt tension can be set by means of adjustable chain drive tensioners fitted to the side of the unit
- System relief valve factory set to 1500 psi.

4. SPECIFICATIONS

OPERATION CAPACITIES

Pushing Force	0-300 lbs. (0 - 136 kg)
Pushing Speed	0-130 ft/min (0 - 40m/m)
Rod Size	1/2" (12.7mm)
Sub-Duct Size	1-1/4 SDR

HYDRAULIC DRIVE SYSTEM

Operating Pressure	2030 psi (max) (110 Bar)
Flow	5.3 gallons/min (recommended)
Pressure Switch Setting	1450 psi (100 Bar)
Relief Valve Setting	1500 psi (103 Bar)
Initial starting pressure	290-580 psi (20-40 Bar) (if greater the set-up needs checking)

ELECTRONIC CONTROL SYSTEM

Power requirements:	12 Volts DC
Fuse Rating	3.15 amp (Slow-Blow)

DIMENSION AND WEIGHTS

Height	49"
Length	42"
Width	28"
Weight	210 lbs.
Tire Size	3.00-4/260x85
Tire Pressure	25 psi (1.72 Bar)
Drive Chain Lubrication	Metaflux 70-88 Chain Spray

5. OPERATING PROCEDURE

It is imperative that all persons using, operation or maintaining this cable blowing machine:

- Have received comprehensive training in the use of this machine.
- Are competent and authorized to use it and have read and understand this manual.

General Machine Products (KT), LLC cannot be held responsible for misuse of this equipment.

Charging the 12 volt battery before use:

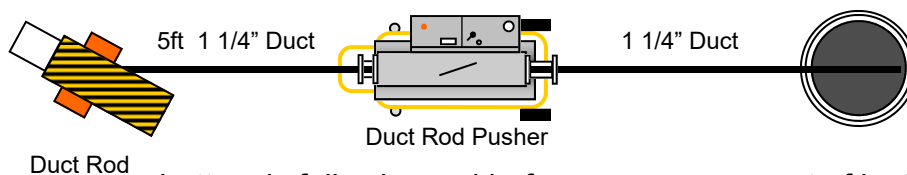
Plug in the supplied battery charger in the charging jack found on the right of the control panel. Initially charge the battery for 8 hours before use (to approximately 13 volts). Continuous charging of the battery with your charger will reduce the life of the battery. Remove the charger when charging is complete. When voltage dips to 12 volts, recharge the battery. Optimize battery life by turning off the display when not in use.



1. Position the Rod Pushing Machine in a suitable position in line with the proposed sub-duct.
2. Adjust the mounting frame to the desired height and angle by means of the front frame supports. Withdraw the front 'R' clip and retaining pin while supporting the weight of the rod pushing unit. Raise or lower the pushing unit and locate onto the support bar for the desired position. Refit the retaining pin and 'R' clip. Alternatively the pushing unit may be detached from the trolley frame by withdrawing both 'R' clips and retaining pins, while supporting the weight of the pushing unit.
3. Stabilize the frame on uneven ground by adjusting the height on the pivoting feet at the rear of the unit and locking in position.

NOTE: CARE SHOULD BE TAKEN WHEN WHEELING THE TROLLEY AROUND NOT TO CATCH THE ADJUSTABLE FEET PADS ON CURBS OR BOULDERS, THIS MAY DAMAGE THE PIVOTING FOOT.

4. Position Duct Rod approximately 5' behind the Duct Rod Pusher at about a 35° angle.



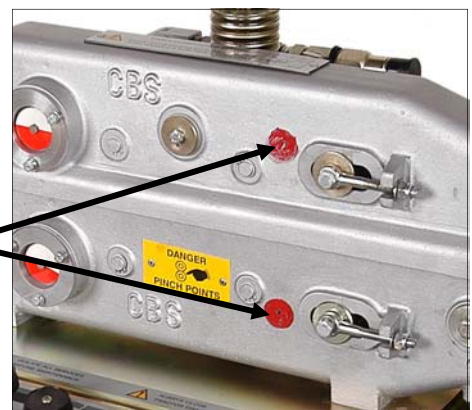
5. Insure the battery is fully charged before commencement of installation.
6. Open tractor drive.

CLEAN ANY DEBRIS, SLUDGE, DIRT, WATER, LUBRICANT, ETC, FROM FRAME HOUSINGS AND ROD INTAKE GUIDE BRACKET ASSEMBLY EACH TIME BEFORE USE.

LUBRICATE BOTH CHAINS BEFORE USE.

CLEAN BOTH TRACTOR DRIVE BELTS BEFORE USE.

Lubrication Points





7. Open tractor drive enough to feed the duct rod through the pusher.

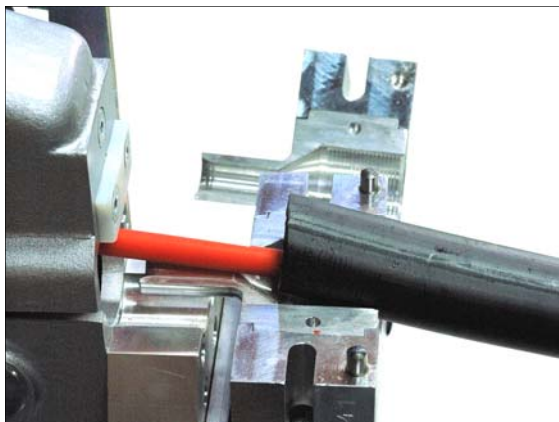
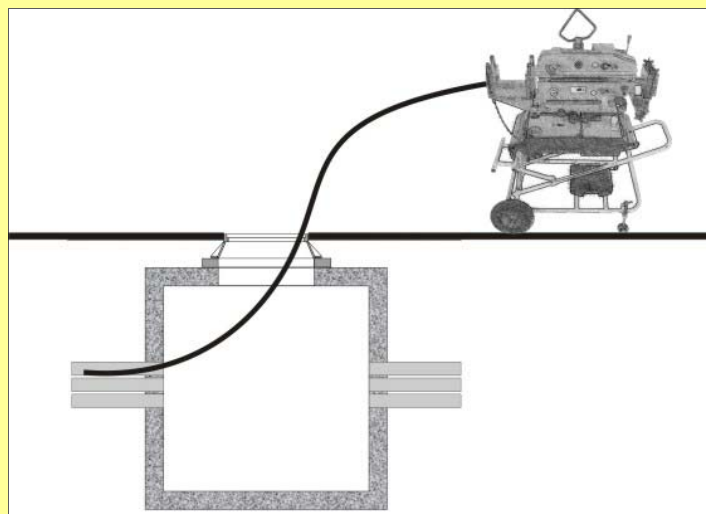


8. Place sub-duct from the manhole into out-feed sub-duct clamp and tighten with 3/4" wrench (provided).

TIP:

If the duct that is to be rodded is larger than 1 1/4", insert a piece of 1 1/4" sub-duct from the out-feed of the Duct Rodder into the larger duct causing the smaller duct to act like a feeder.

Tie off the small duct to a ladder or some other permanent fixture if possible. This prevents the sub-duct from kicking back should the duct rod encounter and obstruction.



9. Take a 5' piece (approx) of 1-1/4" sub-duct and lay it into the opened infeed sub-duct clamp. Feed the rod thru the duct so that it's about a foot into the duct rodder, ensuring that the connector on the end of the rod is past the infeed clamp. Now tighten the clamp on the duct.



10. Clamp the other end of the 1 1/4" sub-duct into the supplied duct rodder carriage clamp.


11. Feed the duct rod through the pusher and into the sub-duct that's placed in the manhole.



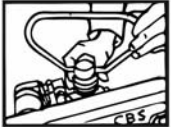
12. The correct rod clamping force is vital to the performance of the machine. It should be set as follows:

Tighten the handle with one hand rotating the clamp washers with the other. The clamp washers will turn easily until the handle begins to clamp them. When the clamp washers become almost impossible to turn with one hand, this is the start point for the clamp force setting. Continue to turn the handle a further 2 full turns. This will insure the correct force.



 CABLE CLAMP FORCE SETTING

WHEN TOP WASHERS NO LONGER ROTATE
TURN HANDLE A FURTHER 2 TURNS ONLY



13. Connect the hydraulic hoses and emergency stop connector to the duct rod pusher taking note that the connector is female on the pusher side and male on the power pack side.



14. Insure that the hydraulic control lever is in the “OFF” position and the speed control knob is in the “Min” position (fully rotated counter-clockwise).



15. The emergency stop button is set to on (upper most position). If not set, twist counter-clockwise to re-set.



16. Start the engine on the power pack. Insure that you have enough fuel for the duration of the pushing operation.



17. Select desired pushing direction from the valve to the rear of the machine. Direction is indicated.



18. Turn the Hydraulic lever valve to the "ON" position.



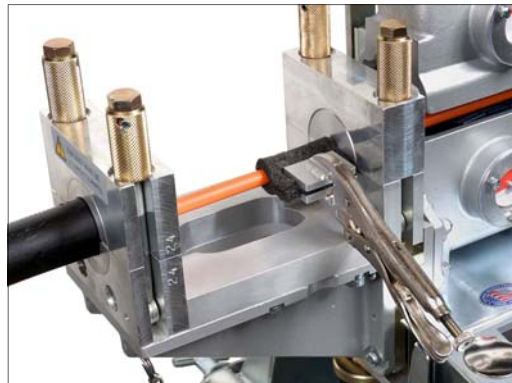
19. Turn on the digital display by pressing the "power on/off" button. Allow approx. five (5) seconds for the display to appear. Pressing SEL toggles between installation distance (ft) and speed (ft/min) (designated by R). Pressing RST will reset the distance reading to zero (0).

20. Turn the speed control valve clockwise (towards 'max') until the desired speed (130 ft/min max) is achieved.



21. Continue to install rod into sub-duct. The operator wearing work gloves should insure the rod enters the machine without debris. Care must be taken to avoid injury by clothing or fingers being dragged into the machine. Failure to do so may result in damage to the rod from the drive belts and/or jamming of the rod.

24. To prevent dirt from entering the machine when pulling back the rod, use a felt wiper at the sub-duct out feed side and clamp it tightly to the rod as shown in photo.



23. On completion screw the speed control knob to the min to stop the machine, (counter clockwise), press the reset button and select neutral from the direction control valve.



24. IF THE PUSHING MACHINE STOPS SUDDENLY

If the rod pushing machine stops suddenly during the pushing operation it is likely that the pressure switch has tripped, the probable reasons for this are: -

- A) The rod has become jammed, has hit an obstruction in the duct or the rod pushing operation has reached its maximum capability.
- B) The power pack has developed a problem or has run out of fuel.

IN THE EVENT OF AN EMERGENCY

1. Push the emergency stop push button.
2. Turn the hydraulic valve to the 'off' position.



3. Turn the speed control knob to "Min" position (fully counter clockwise)



4. Press the on/off button (to turn off the electric's off, if required).



TO RESTART

1. Take machine out of emergency stop by turning the red button counter clock wise. Restart the hydraulic power pack.



2. Turn the hydraulic on/off valve to "on" position.



3. Turn on the digital display by pressing the "power on/off" button. (If the electric's have been switched off)



4. Turn the speed control valve clockwise until the desired speed (up to 130 ft/min max) is achieved.



6. MAINTENANCE

To insure reliable service from your Rod Pushing Machine, **we recommend the unit be completely serviced every 6 months.**

TRACTOR DRIVE

Inspect the chain drive blocks for wear each week.

CHECK the chain tension weekly and adjust if necessary with the two external adjustment screws (do not over tension). The chain should slightly lift off the chain guides, when pulled at the center by finger.



THE CHAIN SHOULD BE LUBRICATED EACH TIME USED by application of Metaflux

spray grease 70-88. This is achieved by running the rod pushing machine at about 130ft/min without any rod and carefully inserting the spray tube from the canister into the holes on the operator side of the aluminum drive castings (2). The spray tube should be carefully inserted until the chain can just be felt and then withdrawn about 3/4 – 1” and spraying for approximately 1 second.

DO NOT OVER LUBRICATE, AS THIS MAY LEAD TO THE DRIVE BELTS BEING CONTAMINATED WITH LUBRICANT.

If contamination does result, wipe the belts clean thoroughly before attempting any pushing operation. (This is based on normal use where the chains are not exposed to excessive contamination).



Bottom frame chain lubrication point



Top frame chain lubrication point

GENERAL

The machine **should** be stored under cover when not in use. The machine should be wiped clean after each time used.

ALWAYS insure that the service battery and spare battery (if available) are fully charged, before this rod-pushing machine is to be used. The machine uses a conventional lead – acid batterie, this may be charged using the supplied battery charger for a maximum of 8 hours.

CHECK the tire pressures and tire condition weekly. Oil the frame pivot points and lubricate the oilite bearings with light machine oil every month. Apply grease to the jacking screw thread each month clean out any dirt/debris from the rod-measuring wheel, measuring disc and speed pick up probe.

Oil sub duct clamp adjusting screw and rod infeed guide adjusting screw monthly.

Grease axles every month. Check function of electrical panel each time.

SERVICE CONNECTIONS

CHECK the condition of the hydraulic hoses each time used and replace if worn or damaged.

CHECK the condition of the emergency stop cable each time used and replace if worn or damaged.

6.1. MAINTENANCE SCHEDULE

PROCEDURE	DAILY	WEEKLY	MONTHLY
Clean all assemblies and components thoroughly			
Inspect hydraulic hoses for leaks and cracks			
Inspect fasteners, screws and retaining pins / wire			
Check / adjust chain tension			
Check tractor drive pads for wear / damage			
Tire pressure / condition			
Check condition of emergency stop lead			
Clean rod infeed guide bracket and collets			
Clean measuring wheel measuring disc and speed pick up probe			
Function of electronic panel			
Oil the frame pivot points			
Grease jacking screw thread			
Oil sub duct clamp adjusting screw			
Oil oilite bearings with light machine oil			
Grease mounting frame axles			
Clean and lubricate chain*			
Clean and lubricate the chain support slide bars			
Check the condition of service and spare 12V DC battery			

* Should be more often if subjected to abnormal use and / or excessive contamination.

6.2. TYPICAL PROBLEMS EXPERIENCED WHEN ROD PUSHING:

PROBLEM	SOLUTION
Tractor feed does not pull the rod off the drum	Assist the drum by turning it or pulling the rod off the drum by hand. Loosen friction brake.
The Rod Pushing Machine stops. Hydraulic pressure gauge reads zero.	Machine has tripped out on pressure switch, rod has hit an obstruction or become jammed. Turn hydraulic valve to off position. Turn speed control knob to 'min'. If rod is jammed try restarting the Rod Pushing Machine, if this fails it may be necessary to pull the rod out a short distance and start again. Investigate obstruction in duct. If all else fails it may be necessary to remove the sub-duct and re-make the bad connection.
It is difficult to keep the rod moving near the end of a duct run	Assist the Rod Pushing Machine by manually pushing the rod into the tractor drive. DO NOT BEND OR CRIMP THE ROD.

6.3. BASIC TOOL KIT SUPPLIED WITH ROD PUSHING MACHINE:

Part No.	Description	Qty.
32837	3/32" Allen Wrench	1
32838	1/8" Allen Wrench	1
89142	3mm Allen Wrench	1
89143	4mm Allen Wrench	1
89144	5mm Allen Wrench	1
89145	6mm Allen Wrench	1
89153	Metaflux 70-88 chain spray	1
89150	Pliers 6"	1
87096	Screwdriver 6" (slot)	1
89146	3/4" Wrench	1

7. PROCEDURE FOR REPLACEMENT OF CHAIN DRIVES

Tools required:

6mm Allen Key 13mm wrench

INSURE THE HYDRAULIC HOSES ARE DISCONNECTED FROM THE PUSHING MACHINE BEFORE CARRYING OUT THIS PROCEDURE.

Step 1

- a. Disconnect the hydraulic motor from the top frame – using 6mm Allen Key.
- b. Remove the stop washer on the bottom of the main jacking screw – using a 6 mm allen key.
- c. Unscrew the main clamping screw and separate the top and the bottom of the pusher unit.

Step 2

Bottom Housing – Chain Removal

- a. Slacken the chain adjusters – using a 13mm wrench.
- b. Remove the swing bolt from the side of unit – using a 13mm wrench.
- c. Push the tensioner pin out through the sprocket assembly.
- d. Remove the tension sprocket assembly.
- e. Remove the chain-connecting link.
- f. Remove the chain.
- g. Check the chain support slide bars for wear and check the tension sprocket rotates freely, prior to fitting the new chains.
- h. Clean and re-lubricate the chain support slide bars.

Step 3

Bottom Housing – Chain Replacement

- a. Pass the pre-lubricated chain round the drive sprocket. Feed the chain along the unit and reconnect the chain-connecting link.
- b. Align the tension sprocket with the chain and locate into position.
- c. Insert the tension pin through the tension sprocket, placing the tensioner pin spacer on the tension pin. Refit swing bolt – using a 13mm wrench.
- d. Adjust the chain evenly via the swing bolts, checking free rotation of the chain. **Do not over tighten the chain.**

Step 4

Top Housing – Chain Removal

- a. Slacken the chain adjusters – using a 13mm wrench.
- b. Remove the swing bolt from the side of unit – using a 13mm wrench.
- c. Push the tensioner pin out through the sprocket assembly.
- d. Remove the tension sprocket assembly.
- e. Remove the chain-connecting link.
- f. Remove the chain.
- g. Check the chain support slide bars for wear and check the tension sprocket rotates freely, prior to fitting the new chains.
- h. Clean and re-lubricate the chain support slide bars.

Step 5

Top Housing – Chain Refitting

- a. Pass the pre-lubricated chain round the drive sprocket. Feed the chain along the unit and reconnect the chain-connecting link.
- b. Align the tension sprocket with the chain and locate into position.
- c. Insert the tension pin through the tension sprocket, placing the tensioner pin spacer on the tension pin. Refit swing bolt – using a 13mm wrench.

Step 6

Top Housing – Chain Refitting

- a. Reassembling the top and the bottom parts of the pusher unit.
- b. Refit the main clamping screw.
- c. Replace the stop washer on the bottom of the main clamping screw – using a 6mm allen key.
- d. Reconnect the hydraulic motor using the 6mm allen key. Adjust top chain, do not over tighten chain.
- e. Connect the power pack hoses and run the pusher unit to check the chain tension

8. PROCEDURE FOR REPLACEMENT OF SUB-DUCT COLLETS

THE MACHINE IS SUPPLIED WITH COLLETS FITTED FOR 1 1/4" SDR SUB DUCT.

SUB-DUCT CLAMP COLLETS

Tools Required 4mm Allen Key

Step 1 Collet Removal

- a. Open the sub-duct clamp.
- b. Remove the socket head cap screws (2) – using a 4mm allen key and remove the collet (2).

Step 2 Collet Refitting

- a. Select the replacement collets
- b. Clean the sub-duct clamp with a dry cloth.
- c. Fit the required collets and secure with a socket head cap screws – using a 4mm allen key.
- d. Close the sub-duct clamp.

9. PROCEDURE FOR THE OUTFEED AND INFEED SUB DUCT CLAMP

INFEED AND OUTFEED SUB DUCT CLAMP:

- a. To adjust the sub duct clamp bracket in either direction, release the adjusting knob locking ring and turn the knob placed directly under the sub duct clamp.
- b. Select the adjustment required – using the increment gauge on the side of the unit.
- c. Tighten the locking ring to prevent any movement during installation.

10. MONTHLY SERVICE – CHECK LIST

- a. Remove the drive chains from the pusher unit. Check both of the chains for excessive wear. Replace, if required – and lubricate with the spray grease provided.
- b. Remove any debris from the housings.
- c. Check the chain supports slide bars for excessive wear and lubricate with the spray grease provided. Replace, if required.
- d. Check all other moving parts e.g. bearings, shafts, sprockets etc. – and lubricate.
- e. Check main jacking screw – and lubricate.
- f. Check all hydraulic fittings and check for leaks.
- g. Check the electrical lead for external damage.
- h. Check the electrical plug and sockets.
- i. Check the function of the electronic control module.
- j. Check the operation of the emergency stop button.
- k. Check the operation of the rod measuring device.
- l. Check the wheel tire pressures and free rotation. Inflate and lubricate, as necessary.
- m. Clean the infeed rod guide bracket.
- n. Complete service history record.

11. SERVICE HISTORY RECORD

Service no	Date	Carried out by	Record of service/repair



12. TROUBLESHOOTING GUIDE

INITIAL STARTING HYDRAULIC PRESSURE AT THE POINT OF STARTING A ROD INSTALLATION THE HYDRAULIC PRESSURE MUST BE BETWEEN 290-580 psi (20-40 BAR). IF NOT **DO NOT CONTINUE**, SEE SECTIONS 'WILL NOT ACHIEVE MAX PRESSURE' AND 'RUNS AT HIGHER THAN EXPECTED PRESSURE' TO RECTIFY PROBLEM BEFORE COMMENCING ROD INSTALLATION.

WILL NOT ACHIEVE MAX PRESSURE

- a. Hydraulic control valve not open fully
- b. Speed control not positioned fully
- c. Faulty power pack (check performance)
- d. Jacking screw not tight enough (producing belt slip)
- e. Worn pads due to rod slip
- f. Excessive lubrication of chains (on to pads causing belt slip)

RUNS AT HIGHER THEN EXPECTED PRESSURE

- a. Chains too tight / excessive clamping force.
- b. Poor lubrication
- c. Seized chain links
- d. Over tightening of jacking screw
- e. Misalignment of sub duct clamp slider
- f. Rod drum not rotating freely
- g. Misalignment of entry guide
- h. Poor duct, installation / friction
- i. Dirt/debris in pusher housings

ROD PUSHING MACHINE STOPS SUDDENLY DURING ROD INSTALLATION

- a. Max pressure achieved
- b. Obstacle in duct installation
- c. Power Pack out of fuel
- d. Emergency button pressed
- e. Damaged lead between Power Pack and Duct Rod Pusher

ENGINE DOES NOT STOP AT MAX PRESSURE

- a. Emergency lead not connected
- b. Electrical control panel not switched on
- c. Battery low on power
- d. Pressure switch unplugged
- e. Fuse blown in control panel

13. RECOMMENDED SPARES LIST

Part No	Description	Qty Required
89191	Chain ½ Duplex (Blue)	2
89158	Motor (32 cc/rev)	2
89156	Wheel (Pneumatic)	2
OR		
89151	Wheel (Solid)	2
31727	Chain Support Slide Bar	2
89153	Metaflux chain spray 70-88	1
32512	Battery 12 V.dc	1

For spare parts always quote the machine type and serial number and contact:



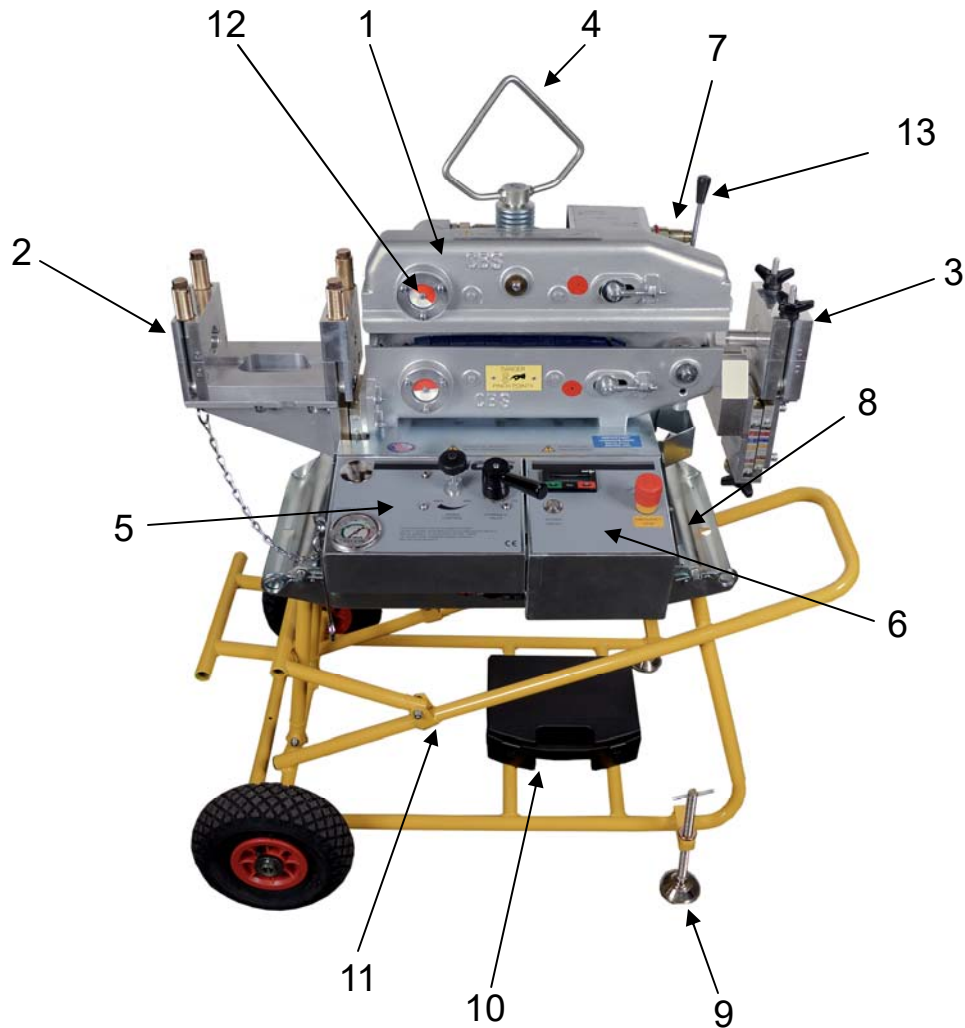
General Machine Products

3111 Old Lincoln Highway, Trevoise PA 19053 USA

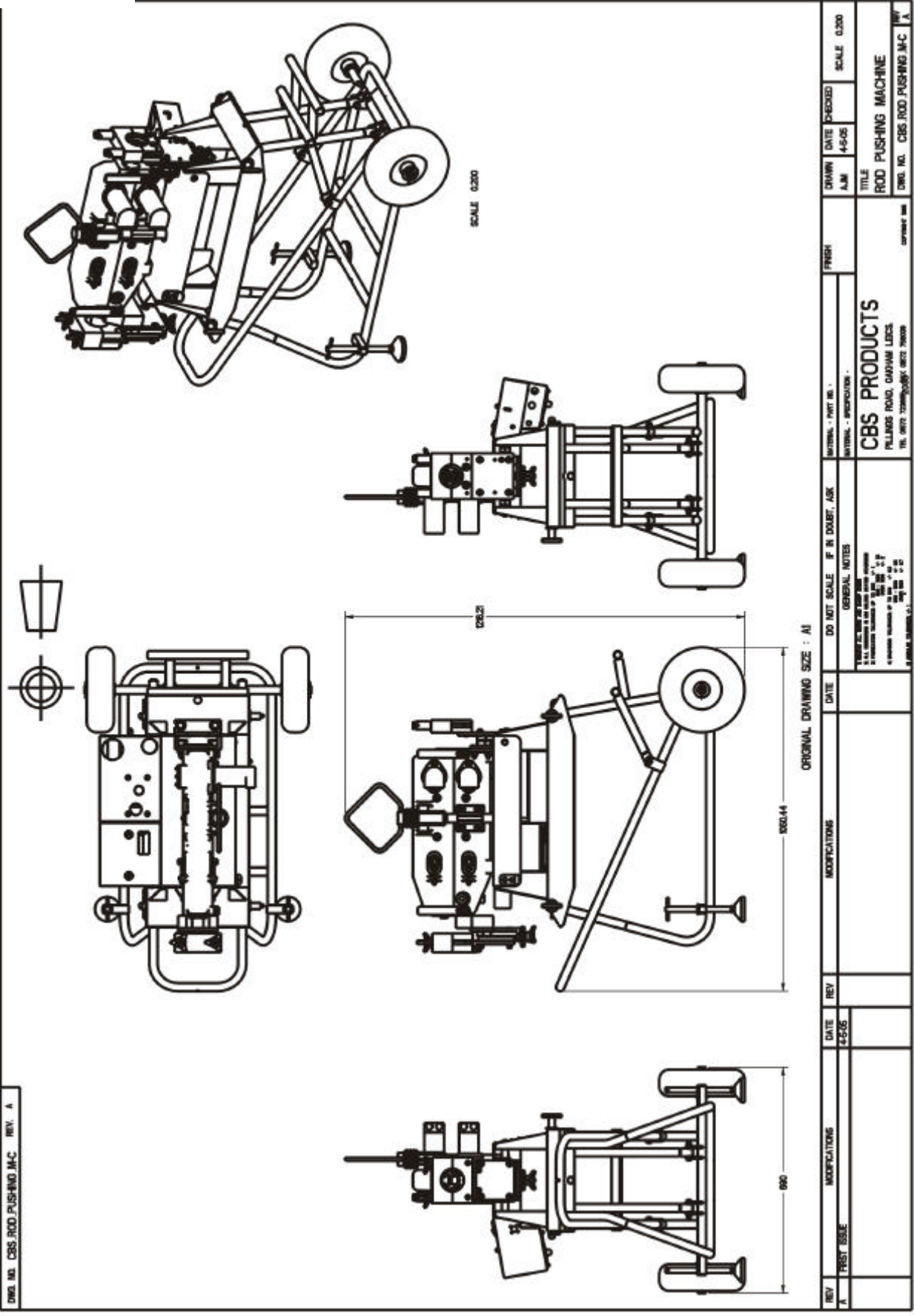
TEL: +1 215 357 5500
FAX: +1 215 357 6216
E-MAIL: info@GMPtools.com
Website: www.GMPtools.com

Appendix 1

LAYOUT OF ROD PUSHING MACHINE

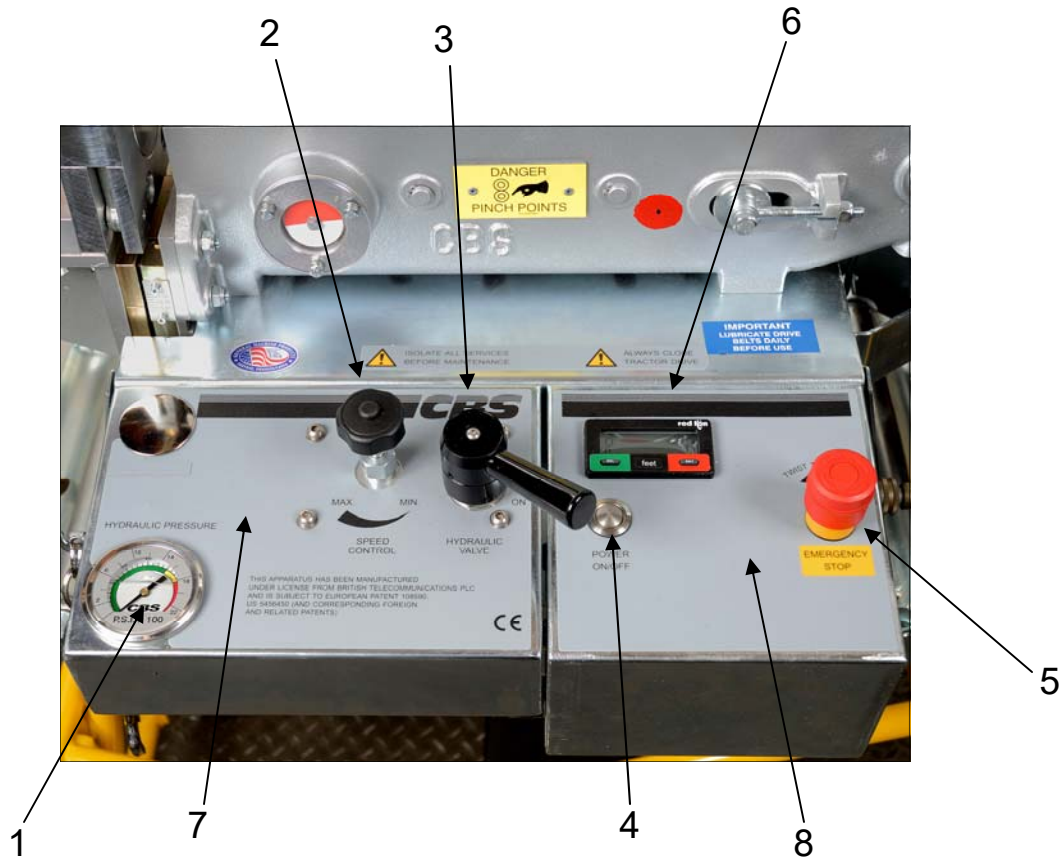


- 1 Rod Pusher
- 2 Sub-Duct Outfeed Clamp
- 3 Sub-Duct Infeed Clamp
- 4 Unit Lifting Point & Clamping Handle
- 5 Hydraulic Control Panel
- 6 Electronic Control Panel
- 7 Hydraulic Hose Connection (at rear of unit)
- 8 Emergency stop socket (on side of unit)
- 9 Frame Leveling Foot
- 10 Tool Box
- 11 Mounting Frame
- 12 Tractor Drive Movement Indicator
- 13 Directional Valve



Appendix 3

HYDRAULIC AND ELECTRONIC CONTROL PANEL LAYOUT



- 1 Hydraulic Pressure Gauge
- 2 Speed Control Knob
- 3 Hydraulic "On / Off" Lever
- 4 Power "On / Off" Button
- 5 Emergency Stop Button
- 6 Length / Speed Digital Display
- 7 Hydraulic Control Panel
- 8 Electronic Control Panel

Appendix 4

Programming Parameters for CUB5R counter/rate meter fitted to Rod Pushing machines – REV 2

The device must be wired and installed into the machine prior to programming.

The Duct Rod Pusher is fitted with CUB5R, reflective version

The DIP switch positions are as follows:

1. ON
2. OFF
3. ON
4. ON

Please see the attached CUB5 Programming Overview attached to this document.



DIP Switch

- a. Press and hold SEL for 2 seconds to enter programming mode
- b. Enter the Pro-Code – 222 by pressing RST to change numbers and SEL to skip to the next number.
- c. Once correct Press and Hold SEL for 2 seconds
- d. Pro-no should now be flashing, press RST
- e. Press RST to move through the various sections 1-input, 2-rate 3-dsplay, sections 4 and 5 will be unavailable, see the next page of instructions for the parameters required.
- f. Press SEL to enter that section
- g. To change the value of a parameter press RST
- h. Press SEL to move to the next parameter (You will have to hold for 2 seconds on certain parameters).
- i. When all the parameters in the section have been scrolled through you will return to the Pro-no display, press RST to scroll to another section else press SEL to exit programming mode.



CUB5R counter/rate meter

Counter programming parameters for the Duct Rod Pusher

Scroll to 3-DSPLAY

Skip through the parameters until FACT SET is displayed. Change this to YES by pressing RST
PRO NO should be displayed, Press SEL.

Continue to re-program the Counter by pressing and holding SEL to re-enter programming mode. Pro-no will be displayed, press RST to move through the relevant sections. The following parameters are required for the counter:

Press RST Once:

Counter Parameters (1-INPUT)

INPA-B = QUAD 4 – if correct press SEL.

CNT A DP = 0.00 (for metric metres) or 0.0 (for imperial feet) - if correct press SEL.

CNT A SCF = 00.4167 (for metric, m) or 00.1353 (for feet)– once correct press & Hold SEL.

CNT A RST = TO ZERO - if correct press SEL.

CNT A DIR = NOR - if correct press SEL.

CNT A LD = 0 – once correct press & Hold SEL.

CNT B BAT = NO - if correct press SEL.

RST P-UP = NO - if correct press SEL.

USER INP = NO - if correct press SEL.

Press RST Twice:

Rate Parameters (2-RATE)

RATE ENB = YES - if correct press SEL.

RATE DP = 0 - if correct press SEL.

RATE DSP = 60 - once correct press & Hold SEL.

RATE INP = 60 (Metric, m/min) or 18 (Imperial, ft/min) – once correct press & Hold SEL.

LO-UDT = 1.0 - if correct press SEL.

HI-UDT = 2.0 - if correct press SEL.

Press RST Three times:

DISPLAY (3-DSPLAY)

SEL ENB = YES - if correct press SEL.

RST ENB = YES - if correct press SEL.

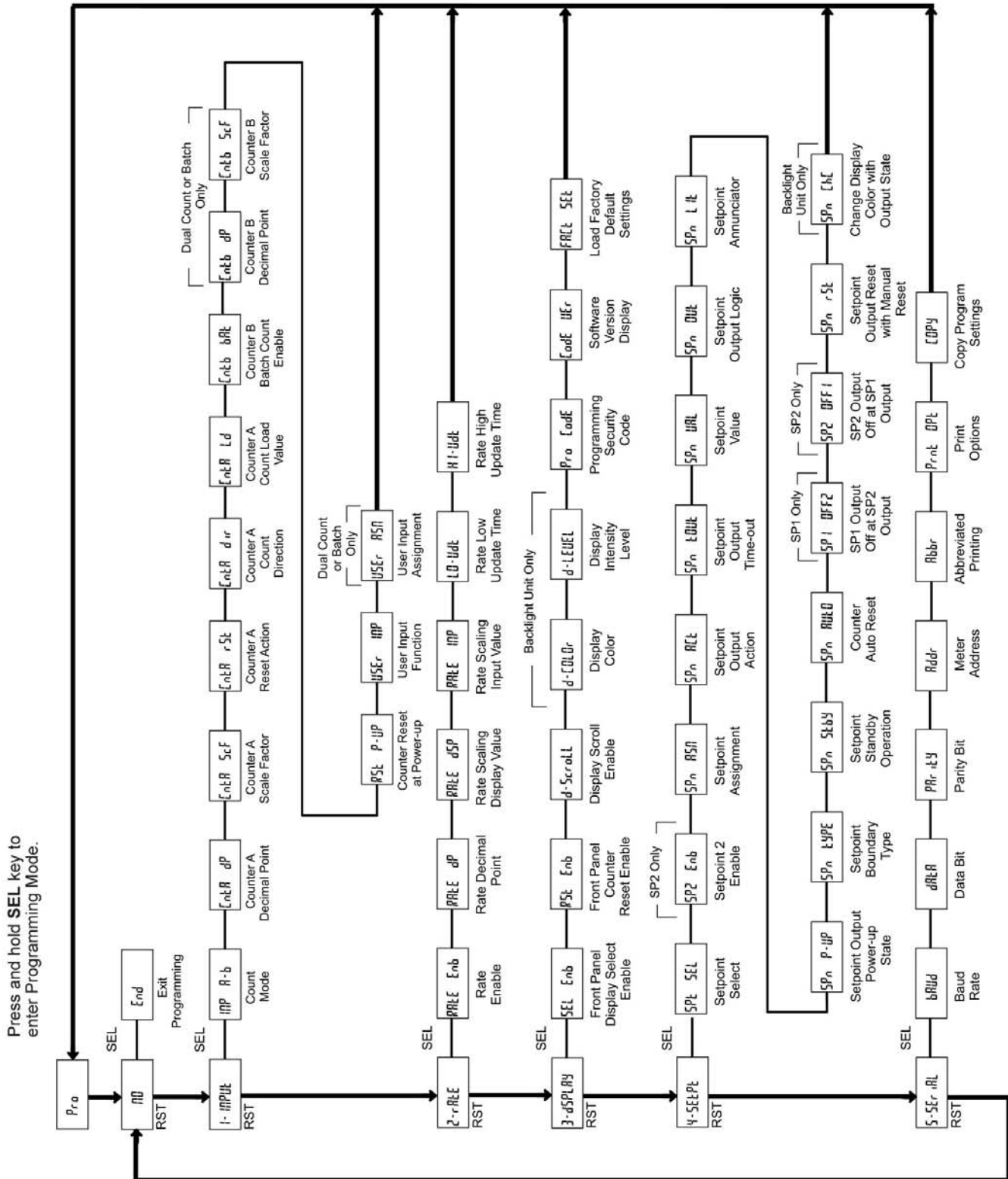
D-SCROLL = NO - if correct press SEL.

PRO CODE = 222 – CODE REQUIRED TO RE-PROGRAM - once correct press & Hold SEL.

CODE VER = NO - if correct press SEL.

FACT SET = NO – Press SEL Twice

CUB5 PROGRAMMING QUICK OVERVIEW





GMP • 3111 Old Lincoln Hwy • Trevose, PA 19053 • USA
TEL: +1-215-357-5500 • FAX: +1-215-357-6216 • EMAIL: info@gmptools.com