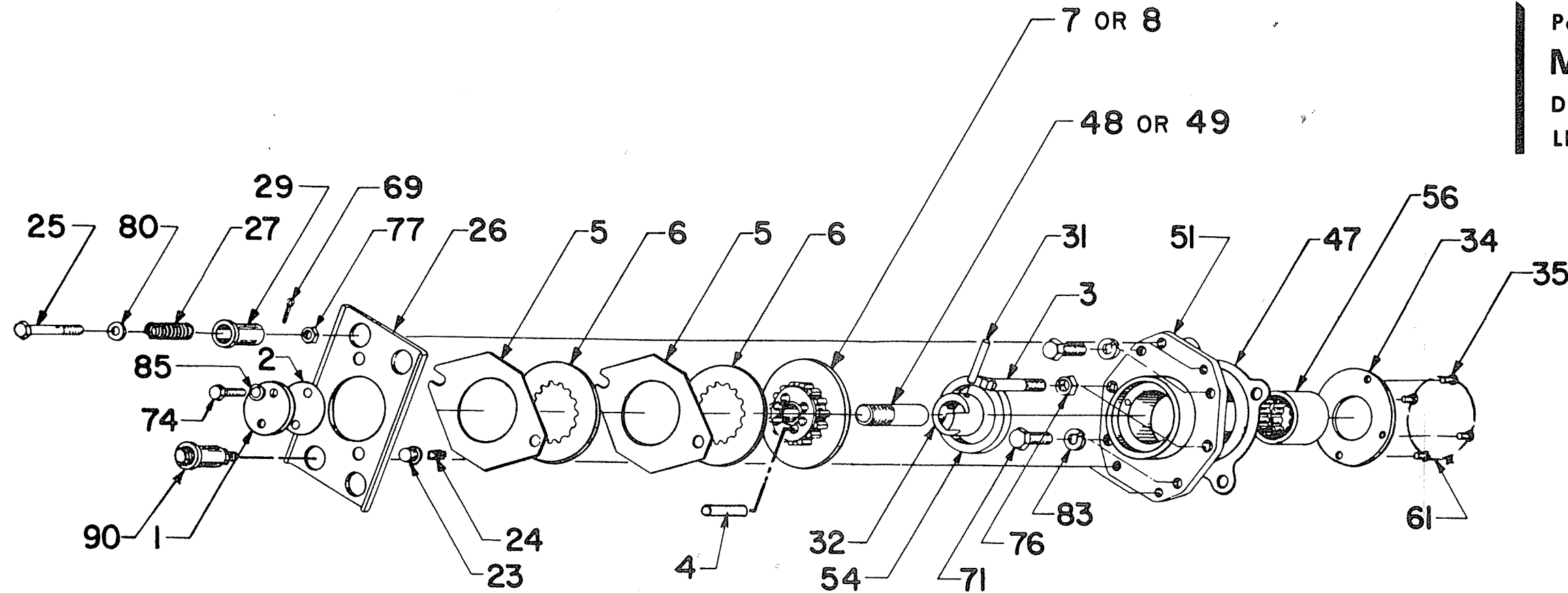


MODEL UG WINCH

DOUBLE PLATE SAFETY BRAKE

LH or RH worm, sprocket to rear



Please include drawing, issue and serial number indicated on name plate when ordering parts

ITEM	PART NUMBER		DESCRIPTION	QTY	CODE
	MV - NO.	REF. NO.			
1	1H151	158-S-2	Washer, Stop pin retaining	1	A
		119-E-40	Washer, Stop pin retaining	1	B
2	1H100	158-S-1	Gasket	1	A
		119-E-57	Gasket	1	B
3	1H095	110-E-11	Stud, Brake Anchor	2	A, B
4	1H093	141-S-44	Pin, Stop	1	A, B
5	1H097	283-B-61	Plate, Brake Lining	2	A, B
6	1H098	134-S-42	Lining	2	A, B
7	1H155	283-B-76	Worm Brake Nut Assy, LH	1	A
		283-B-76A	Worm Brake Nut Assy, LH	1	B
8	1H152	283-B-62	Worm Brake Nut Assy, RH	1	A
		283-B-62A	Worm Brake Nut Assy, RH	1	B
23	1H139	114-E-9	Thimble, Small Spring	2	A, B
24	1H140	143-S-61	Spring, Light	2	A, B
*25		115-E-53A	Pin, Spring 3-3/4" lg	4	A, B
26	1H096	283-B-60	Plate, Pressure	1	A, B
*27	1H136	114-E-10	Spring	4	A, B
*29	1H154	119-E-38	Thimble, Spring	4	A, B
31	1H132	158-S-3	Pin	1	A
		125-E-16	Pin	1	B
32	1H133	158-S-4	Sleeve, Stop	1	A
		125-E-15	Sleeve, Stop	1	B
34	1H131	158-S-5	Retainer, Bearing	1	A, B

Parts Coded A - Used on units with 7/8 inch dia. stud
 Parts Coded B - Used on units with 11/16 inch dia. stud
 Parts Coded A, B - Used on all units

*Items procurable as a kit (See item 90 on parts list)

ITEM	PART NUMBER		DESCRIPTION	QTY	CODE
	MV - NO.	REF. NO.			
35	1H130	119-E-62	Screw, Bearing Retaining Cap	4	A, B
47	1H091	109-E-59	Shims, Bearing Cage	3	A, B
		152-S-52	Stud, LH	1	A
48	1H143	152-S-52A	Stud, LH	1	B
		152-S-51	Stud, RH	1	A
49	1H142	152-S-51A	Stud, RH	1	B
		176-A-34	Cage, Bearing	1	A
51	1H092	176-A-34A	Cage, Bearing	1	B
		60868	Seal, Oil	1	A
54		110-E-65	Seal, Oil	1	B
		6207-TS	Bearing, Roller	1	A
56		16476	Bearing, Roller	1	B
		#17	Wire, 14 inch long, stl	1	A, B
*69		COML	Pin, Cotter, stl, 3/32 dia x 3/4 in. lg	4	A, B
71		COML	Screw, Cap, hex hd, stl, 1/2-20NF x 1-1/2 in.	4	A, B
		COML	Screw, Cap, hex hd, stl, 3/8-24NF x 3/4 in.	2	A, B
74		COML	Nut, Hex hd, stl, 1/2-20NF	2	A, B
		COML	Nut, Hex hd, stl, 3/8-24NF	4	A, B
76		COML	Washer, Plain, stl, 3/8 in. bolt	4	A, B
		COML	Washer, Spring lock, 1/2 SAE	4	A, B
83		COML	Washer, Spring lock, 3/8 SAE	2	A, B
		COML	Thimble Kit, Outer	4	A, B
85		COML	Thimble Kit, Outer	4	A, B
90		K119-E-38	Thimble Kit, Outer	4	A, B