



UG

Adams® Winch Rope Winder

Parts and Assembly



TOOLS BUILT TO GO THE DISTANCE

General Machine Products Company, Inc.

3111 Old Lincoln Highway

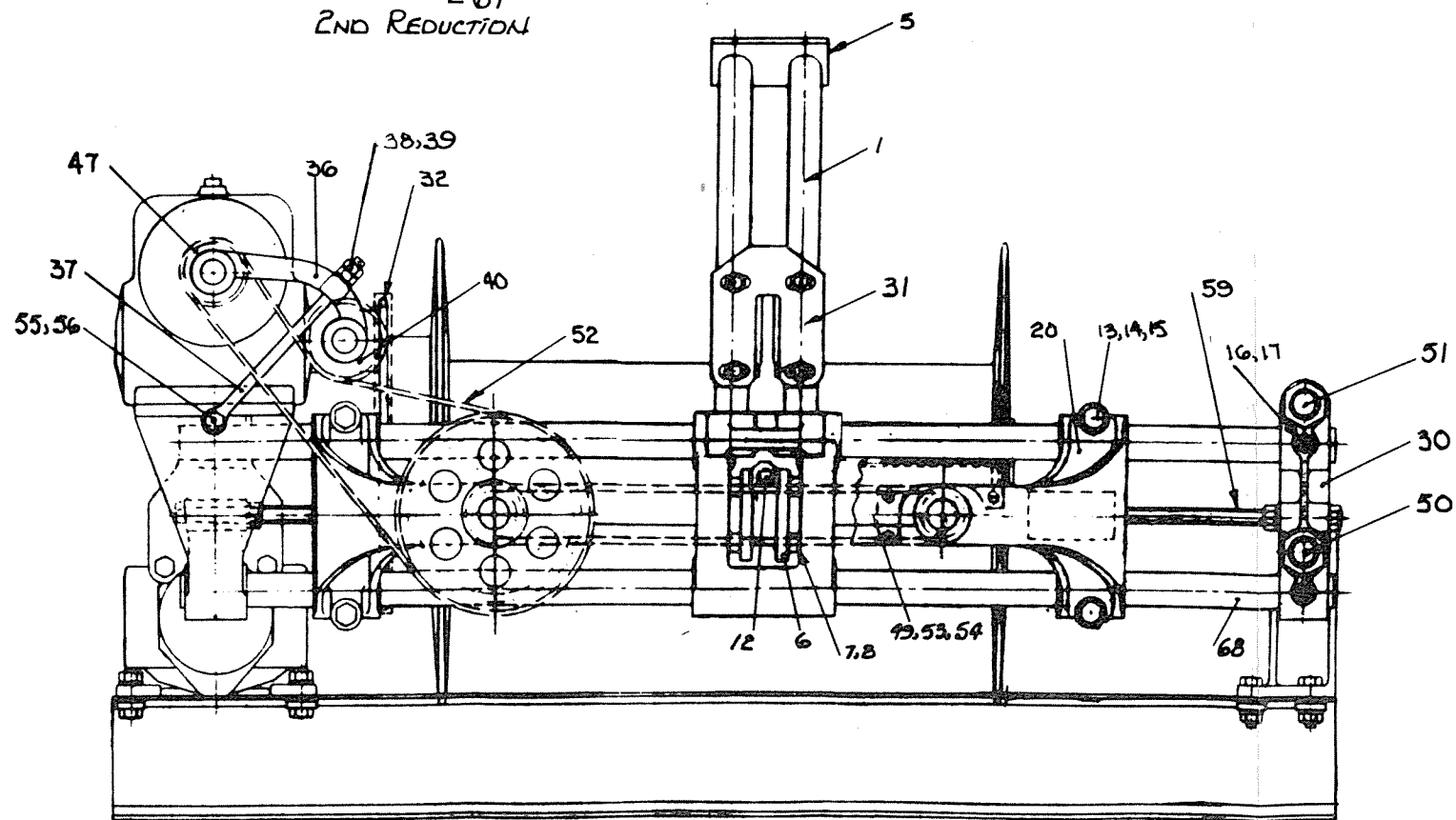
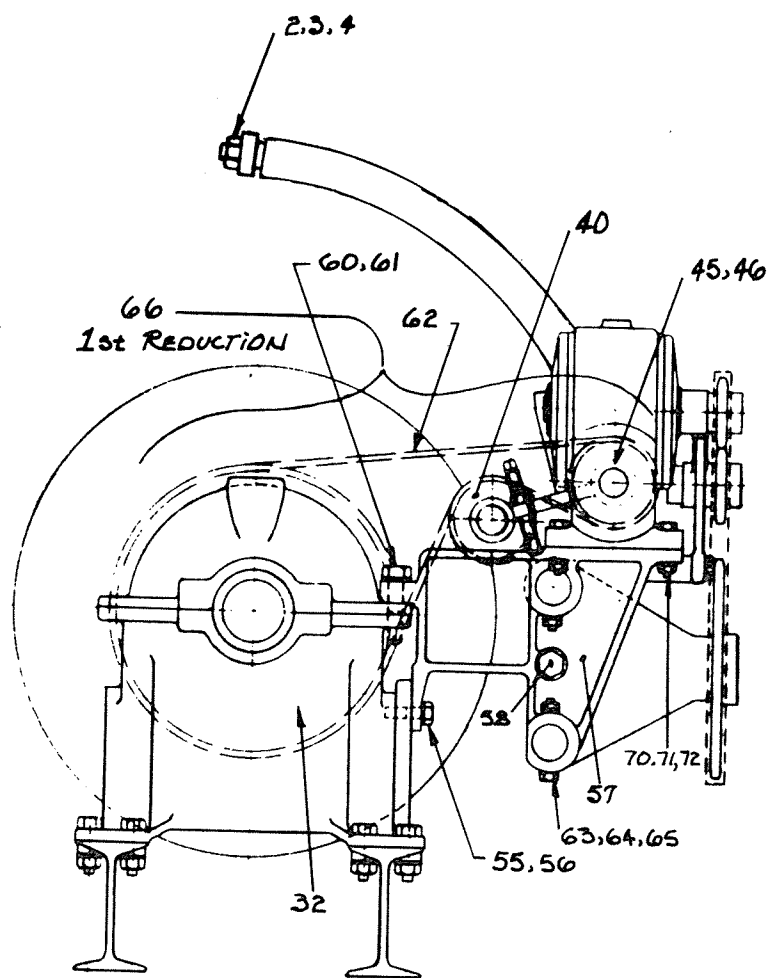
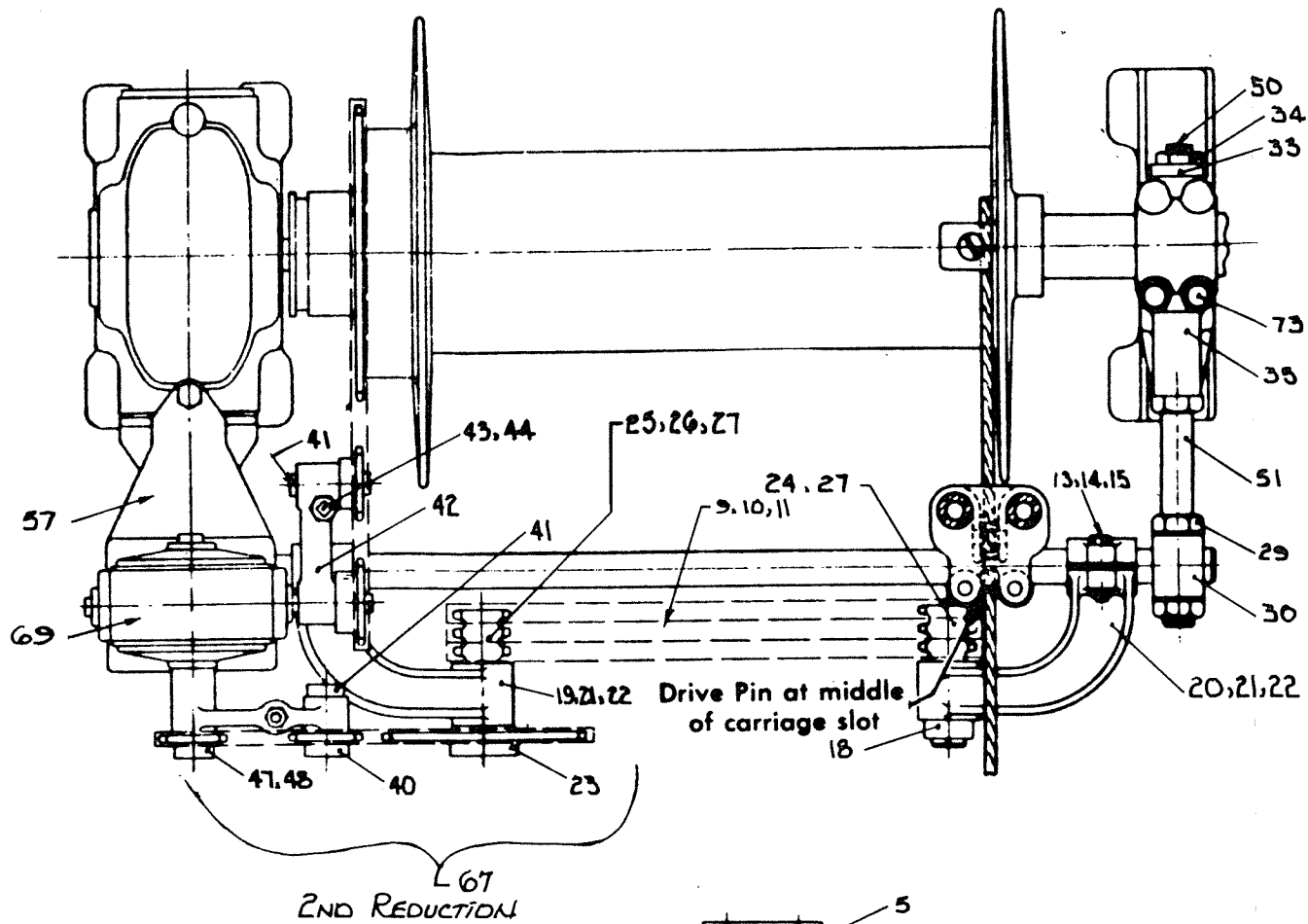
Trevose, PA 19053 USA

Tel: +1 215 357 5500

Fax: +1 215 357 6216

Email: info@GMPtools.com

Web: www.GMPtools.com



ADAMS EQUIPMENT		
TREVOSE, PA 18047		
MODEL CH ROPE WINDER		
FOR UG WINCH		
PARTS & ASSEMBLY DRAWING		
DRAWN	DATE 1/76	ISSUE 1
SCALE NONE	230-1563	

GENERAL MACHINE PRODUCTS CO., INC.
TREVOST, PA 19047

MODEL CH LEVEL-WIND PARTS LIST

6/88

PAGE 1 OF 4

ITEM NO.	PART NO.	DESCRIPTION	QTY.
		<u>NOTE:</u> <u>ITEM NUMBERS 1 THRU 56 ARE USED ON LEVEL-WIND FOR ALL WINCH MODELS CD, LCD, UG.</u>	
1	283-B-96	HORN ASSEMBLY-INCLUDES ITEMS 2,3,4,5	1
2	127-S-14	STUD	2
3	COM'L	NUT-JAM HEX 3/4"-16	2
4	COM'L	LOCKWASHER-3/4" SAE MEDIUM	2
5	127-S-15	TIE PLATE	1
6	142-S-4	GUIDE PLATE	2
7	COM'L	CAP SCREW-HEX HEAD 3/8"-24 x 1-1/4" LONG	4
8	COM'L	LOCKWASHER-3/8" SAE MEDIUM	4
9		CROSS CHAIN ASSEMBLY-5/8" PITCH TRIPLE WIDTH ROLLER CHAIN, INCLUDES ITEM 10 & 11 DRUM WIDTH PITCHES	
	5H204	22-1/2" 69	1
	5H203	28" 86	1
10	230-1336	GUIDE LINK	1
11	142-S-2	CONNECTING PIN	2
12	142-S-5	DRIVING PIN	1
13	COM'L	CAP SCREW-HEX HEAD 1/2"-20 x 2-1/2" LONG	4
14	COM'L	NUT-HEX 1/2"-20	4
15	COM'L	LOCKWASHER-1/2" SAE MEDIUM	4
16	COM'L	SET SCREW-SQUARE HEAD 1/2"-13	2
17	COM'L	NUT-JAM HEX 1/2"-13	2
18	SC-125	COLLAR WITH SET SCREW	1
19	221-A-49	BRACKET ASSEMBLY-RH INCLUDES ITEM 21,22	1
20	221-A-49	BRACKET ASSEMBLY-LH INCLUDES ITEM 21,22	1
21	110-B	OIL CUP (ONE EACH FOR ITEM 19,20)	1 EA.
22	A1512-13	BUSHING-OILITE (ONE EACH FOR ITEM 19,20)	1 EA.
23		SECOND REDUCTION DRIVEN SPROCKET WITH SET SCREW, 5/8" PITCH ROLLER CHAIN WIRE ROPE DIAMETER TEETH	
	285-B-2	5/16" - 3/8" - 9/16" 36	1
	285-B-3	7/16" AND 1/2" 40	1
24	141-S-100	SPROCKET-10 TEETH, 5/8" PITCH TRIPLE WIDTH ROLLER CHAIN, SHORT	1
25	141-S-99	SPROCKET-10 TEETH, 5/8" PITCH TRIPLE WIDTH ROLLER CHAIN, LONG	1
26	1008	KEY-WOODRUFF 5/16" x 1" (FOR ITEM 25 & 23)	1
27	230-1556	WASHER-THRUST	2

10 ROLLER 5/8 PITCH

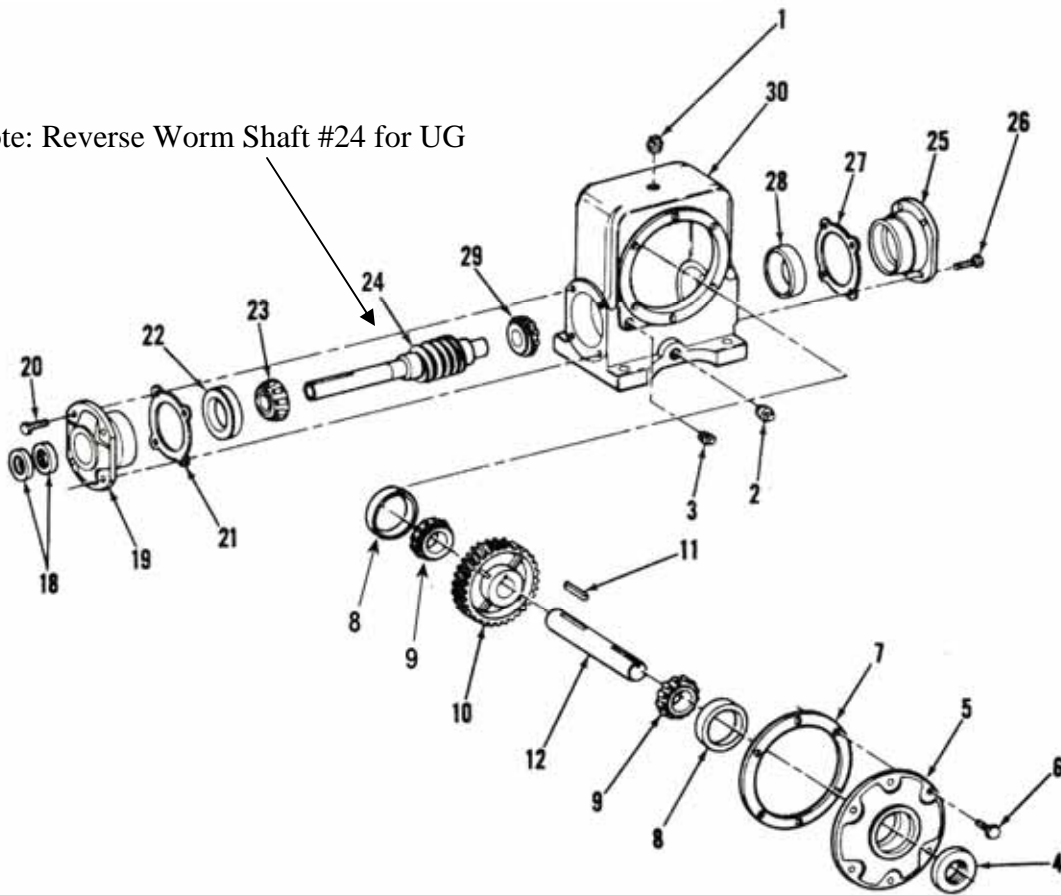
ITEM NO.	PART NO.	DESCRIPTION	QTY.
28	COM'L	NUT-JAM 5/8"-18	2
29	COM'L	NUT-JAM 1-1/4"-12	6
30	221-A-51	GUIDE ROD SUPPORT	1
31	283-B-95	ROLLER CAGE ASSEMBLY(SEE DRAWING 283B95)	1
32	283-B-100	SPROCKET-WINCH DRUM, 58 TEETH 5/8" PITCH ROLLER CHAIN	1
33	134-S-65	SPACER	1
34	230-1592	NUT-HEX 1-1/4-12	1
35	221-A-50	ROD SUPPORT	1
36	230-1003A	IDLER BRACKET ASSEMBLY-SECOND REDUCTION INCLUDES: 1 - 230-1003 IDLER BRACKET 2 - 110-B OIL CUP 1 - A1110-12 BUSHING OILITE 1 - A1108-16 BUSHING OILITE	1
37	141-S-98	IDLER ADJUSTING ROD	1
38	COM'L	NUT-HEX 1/2"-13	2
39	COM'L	WASHER-FLAT 1/2"	1
40	141-S-95	SPROCKET-IDLER 13 TEETH 5/8" PITCH ROLLER CHAIN WITH SET SCREW	2
41	230-1541A	IDLER SHAFT ASSEMBLY - INCLUDES: 1 - 230-1541 IDLER SHAFT 2 - 5160-87 SNAP RING 1 - 1/8" I.D. x 1-3/4" O.D. x .15 THK FLAT WASHER	2
42	141-S-96A	IDLER BRACKET ASSEMBLY-FIRST REDUCTION INCLUDES: 1 - 141-S-96 IDLER BRACKET 2 - 110-B OIL CUP 1 - A1106-3 BUSHING OILITE 1 - A1108-10 BUSHING OILITE	1
43	COM'L	SET SCREW-1/2"-13 x 3-1/2" LG. SQUARE HEAD, ROUND POINT	1
44	COM'L	NUT-HEX 1/2"-13	1
45		FIRST REDUCTION DRIVEN SPROCKET WITH SET SCREW, 5/8" PITCH ROLLER CHAIN	1
		WIRE ROPE DIAMETER TEETH	
	141-S-88	5/16"	23
	141-S-89	3/8"	19
	141-S-90	7/16"	16
	141-S-91	1/2"	14
	141-S-91	9/16"	14
46	COM'L	KEY-3/16" SQUARE x 1-1/4" LG.	1
47		SECOND REDUCTION DRIVE SPROCKET WITH SET SCREW, 5/8" PITCH ROLLER CHAIN	1
		WIRE ROPE DIAMETER TEETH	
	141-S-92	5/16" AND 3/8"	11
	141-S-93	7/16"-1/2"-9/16"	12

ITEM NO.	PART NO.	DESCRIPTION	QTY.
48	COM'L	KEY-1/4" SQUARE x 1" LONG	1
49	5H198	CROSS CHAIN GUARD-22-1/2" WIDE DRUM (CD, LCD, UG)	1
	5H197	CROSS CHAIN GUARD-28" WIDE DRUM (CD, UG)	1
50	280-B-49	ADJUSTING ROD	1
51	280-B-50	ADJUSTING ROD	1
52		SECOND REDUCTION CHAIN - 5/8" PITCH ROLLER CHAIN INCLUDING CONNECTION LINK PITCHES FOR PITCHES FOR CD22, CD28 UG22, UG28 LCD-22	1
		WIRE ROPE DIA.	
		5/16" 80 76	
		3/8" 80 76	
		7/16" 80 76	
		1/2" 80 76	
		9/16" 80 76	
53	COM'L	CAP SCREW-HEX HEAD 5/16"-18 x 3/4" LONG	4
54	COM'L	LOCKWASHER-5/16" SAE MEDIUM	4
55	COM'L	CAP SCREW-HEX HEAD 1/2"-20 x 1-3/4" LONG	2
56	COM'L	LOCKWASHER-1/2" SAE MEDIUM	2
		<u>NOTE: ITEM NUMBERS 57 THRU 73 USED ON LEVEL-WIND FOR ALL MODEL UG WINCHES ONLY</u>	
57	221-A-47	MAIN DRIVE SUPPORT	1
58	142-S-8	ADJUSTING SCREW 6" LONG	1
59	142-S-9	ADJUSTING SCREW 22-1/2" WIDE DRUM-13" LG.	1
	142-S-9	ADJUSTING SCREW 28" WIDE DRUM-8" LONG	1
60	COM'L	CAP SCREW-HEX HEAD 5/8"-18 x 2-1/2" LONG	1
61	COM'L	LOCKWASHER 5/8" SAE MEDIUM	1
62		FIRST REDUCTION CHAIN - 5/8" PITCH ROLLER CHAIN INCLUDING CONNECTION LINK PITCHES FOR PITCHES FOR CD22, CD28 UG22, UG28 LCD-22	1
		WIRE ROPE DIA.	
		5/16" 93 90	
		3/8" 93 90	
		7/16" 93 90	
		1/2" 93 90	
		9/16" 93 90	
63	COM'L	CAP SCREW-HEX HEAD 3/8"-24 x 2-3/4" LONG	2
64	COM'L	NUT-HEX 3/8"-24	2
65	COM'L	LOCKWASHER - 3/8" SAE MEDIUM	2
66	221-A-55	CHAIN GUARD - FIRST REDUCTION WITH BRACKETS-UG	1
67	221-A-56	CHAIN GUARD - SECOND REDUCTION WITH BRACKETS-UG	1

ITEM NO.	PART NO.	DESCRIPTION	QTY.
68	142-S-10	GUIDE BAR - UG22 OR UG28 51" LG.	2
69	220-5	REDUCER ASSEMBLY-LEFT HAND (SEE DRAWING 220-5)	1
70	COM'L	CAP SCREW-HEX HEAD 3/8"-24 x 1-3/4" LONG	4
71	COM'L	NUT-HEX 3/8"-24	4
72	COM'L	LOCKWASHER-3/8" SAE MEDIUM	4
73	COM'L	CAP SCREW-HEX HEAD 5/8"-18 x 3" LONG	2
		<u>NOTE: ITEM NUMBERS 74 THRU 82 USED ON LEVEL-WIND FOR ALL MODEL CD & LCD WINCHES ONLY</u>	
74	230-998	MAIN DRIVE SUPPORT	1
75	230-1247	ADJUSTING ROD	2
76	COM'L	NUT-JAM HEX 1-1/4"-12	6
77	230-1004	CHAIN GUARD-SECOND REDUCTION WITH BRACKETS CD, LCD	1
78	230-1006	CHAIN GUARD-FIRST REDUCTION WITH BRACKETS CD, LCD	1
79	220-5	REDUCER ASSEMBLY-RIGHT HAND (SEE DRAWING 220-5)	1
80	5H201	GUIDE BAR-40-1/2" LG. (CD-22,LCD-22)	2
	5H200	GUIDE BAR-46" LONG (CD-28)	2
81	142-S-9	ADJUSTING ROD 4" LONG (CD-22 or CD-28)	2
82	COM'L	CAP SCREW-HEX HEAD 5/8"-18 x 4-1/2" LG.	4

Winch Rope Winder Reducer Assembly

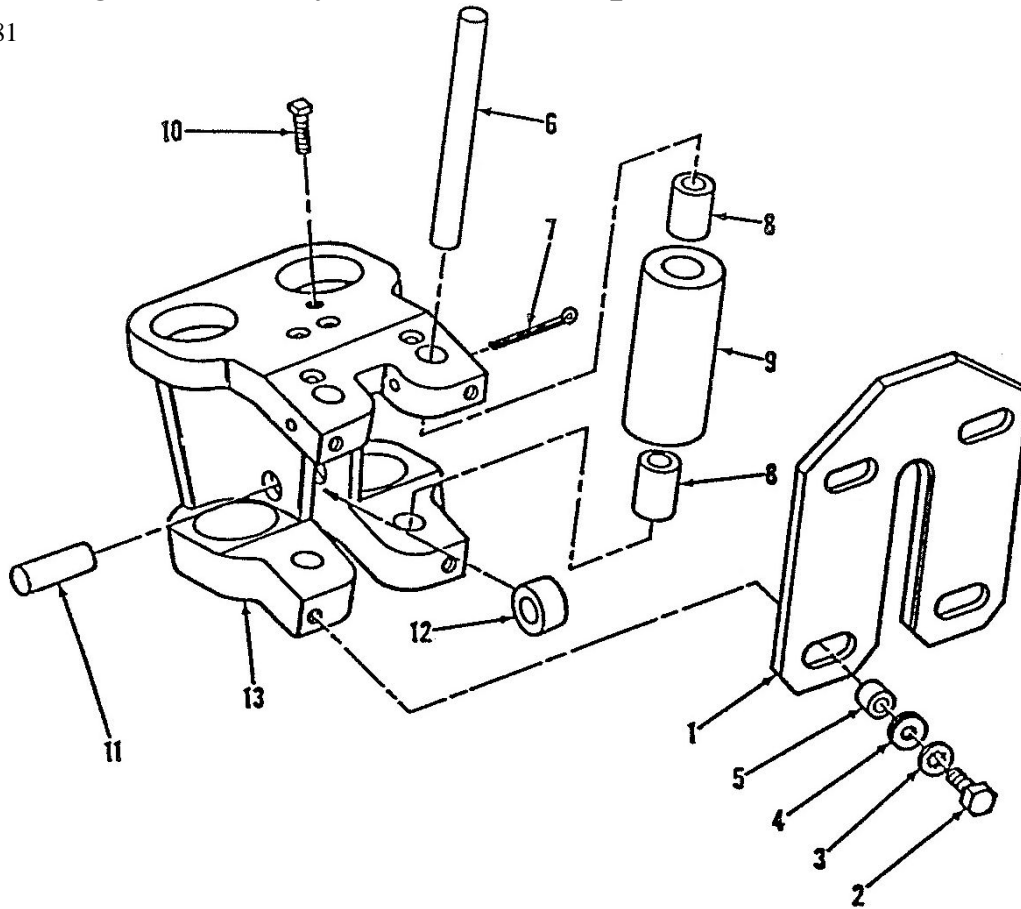
Note: Reverse Worm Shaft #24 for UG



Item #	Part #	Description	Qty.	Item #	Part #	Description	Qty.
1	15982	Plug, Breather	1	17	xx	Not used	
2	16442	Plug, Drain	1	18	16447	Seal, Oil	2
3	16888	Plug, Oil	1	19	15975	Carrier, Open Bearing	1
4	16448	Seal, Oil	1	20	16033	Bolt, Hex Hd 5/16-18x3/4	4
5	15976	Carrier, Open Bearing	1	21	17140	Gasket, Shim .005 (blue)	AR
6	16033	Bolt, Hex Hd 5/16-18x3/4	6	21	15980	Gasket, Shim .020 (yellow)	AR
7	15981	Gasket	AR	22	16446	Cup	1
8	16445	Cup	2	23	16444	Cone	1
9	16443	Cone	2	24	15965	Shaft, Worm	1
10	15977	Gear, Worm	1	25	15973	Carrier, Closed Bearing	1
11	15978	Key	1	26	16033	Bolt, Hex Hd 5/16-18x3/4	4
12	15979	Shaft, Worm Gear	1	27	17140	Gasket, Shim .005 (blue)	AR
13	xx	Not used		27	15980	Gasket, Shim .020 (yellow)	AR
14	xx	Not used		28	16446	Cup	1
15	xx	Not used		29	16444	Cone	1
16	xx	Not used		30	15974	Housing	1

Roller Cage Assembly for Winch Rope Winder

P/N 15581



Item #	Part #	Description	Qty.	Item #	Part #	Description	Qty.
1	14942	Guard, Roller	1	8*	16725	Bushing, Oilite	4
2	16727	Screw, Hex Hd, 5/16-24x3/4	4	9*	14938	Roller	2
3	02878	Washer, Internal Lock	4	10	16728	Screw, Sq. Hd. Cup Pt 1/4-20x3/4	1
4	02244	Washer, Plain 3/8	4	11	14940	Shaft, Guide Roller	2
5	14943	Spacer	4	12	14939	Roller, Guide	2
6	14941	Shaft, Side Roller	2	13	14944	Cage, Roller	1
7	16726	Pin, Cotter, 1/8 dia x 1 3/4	2	14	79144	Pin, SL	1

* Note: Items 8 and 9 sold as assembly P/N 15613