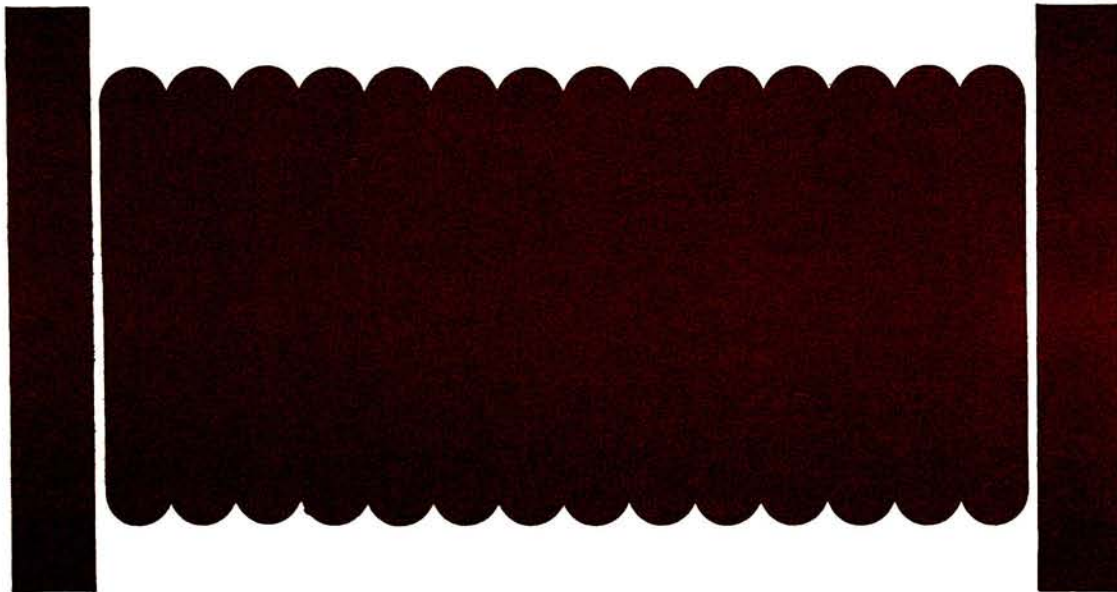


**MODEL LCD-22
LIGHT CONTINUOUS DUTY WINCH
PARTS LISTS & ASSEMBLY DRAWINGS**



ADAMS EQUIPMENT
A DIVISION OF
GENERAL MACHINE PRODUCTS CO. INC.
3111 Old Lincoln Hwy Trevose, PA 19053

INDEX

	Page
General Arrangement	2
General Assembly Drawing	3
General Assembly Parts List	4
Drive & Safety Brake Assembly Drawing	5
Drive & Safety Brake Assembly Parts List	6
Final Drive Assembly Drawing	7
Final Drive Assembly Parts List	8
Clutch & Disc Brake Assembly Drawing	9
Clutch & Disc Brake Assembly Parts List	10
Band Brake Assembly Drawing	11
Band Brake Assembly Parts List	12

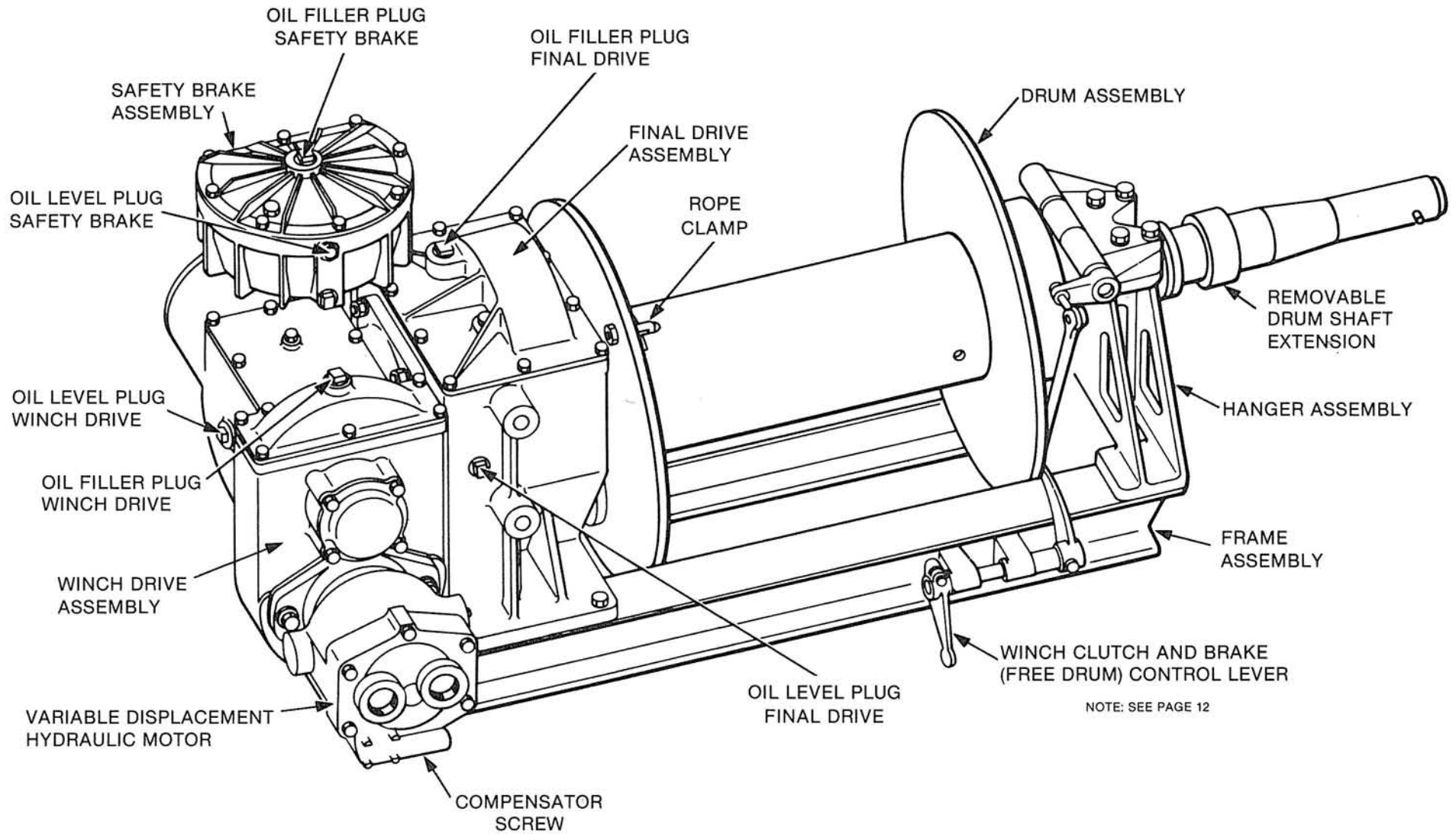


FIG. 1 — GENERAL ARRANGEMENT

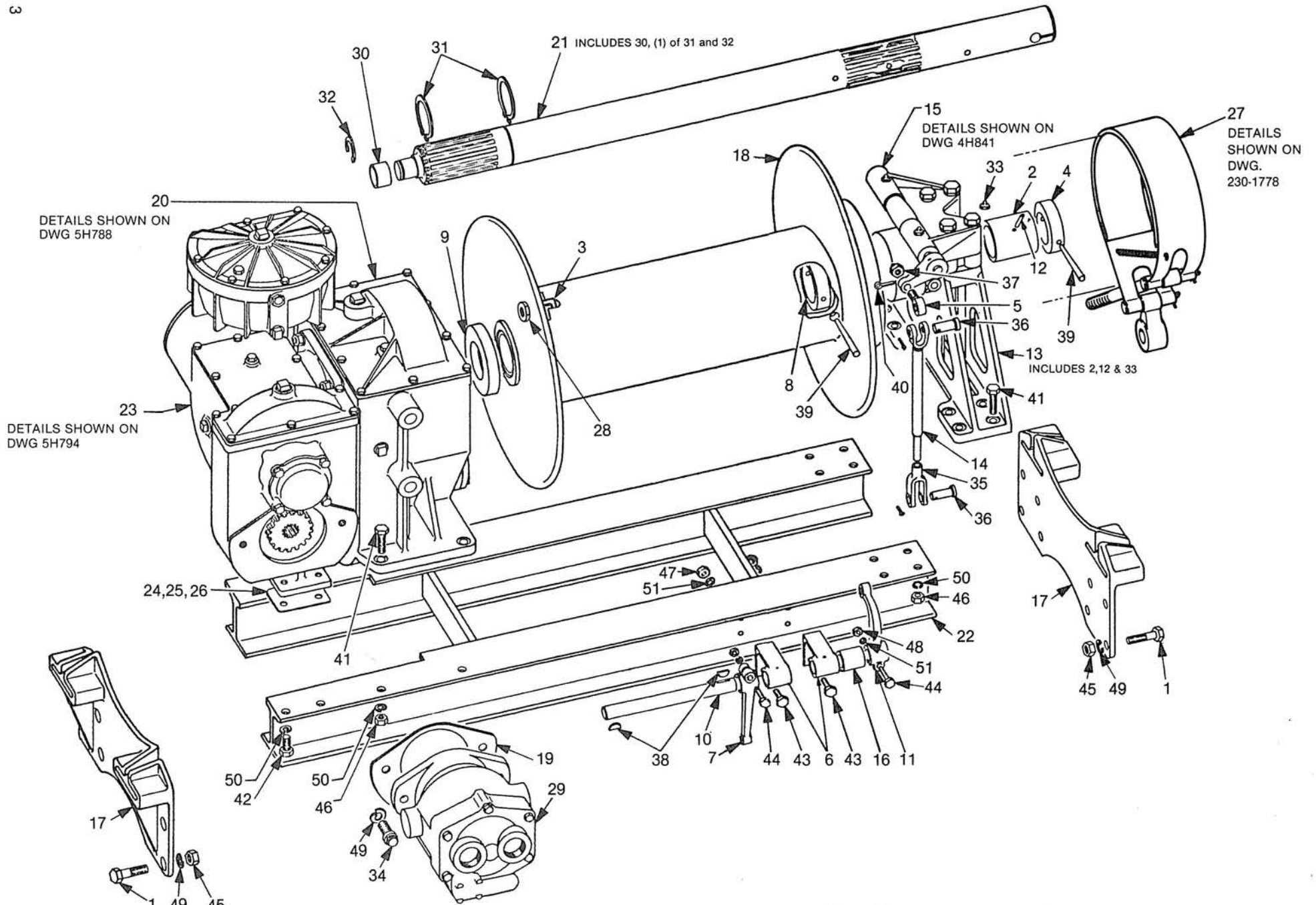


FIG. 2 — GENERAL ASSEMBLY PARTS DRAWING

GENERAL ASSEMBLY PARTS LIST
FIG. 2

ITEM	PART NAME	PART NO.	QTY	ITEM	PART NAME	PART NO.	QTY
1	Bolt, Hex. Hd. 5/8-18 x 2	147-S-21	16	27	Band Brake Assembly	230-1778	1
2	Bushing, Drum Shaft Hanger	106-E-79	1	28	Nut-Rope Clamp	230-1548	1
3	Clamp, Rope (J" Bolt)	230-1547	1	29	Motor-Hydraulic	M-MVB29- USG-10- CL-074	1
4	Collar, Drum Thrust	104-E-52	1	30	Bearing, Inner Race	Mi-20N	1
5	Rod End, Clutch Yoke Shaft Lever	151-E-50	1	31	Ring, Retainer	5100-275	2
6	Bracket, Clutch Lever Shaft	230-1511A	2	32	Ring, Retainer	5103-125	1
7	Lever, Clutch Rod	127-S-20	1	33	Fitting, Lube	1610	1
8	Collar, Drum Thrust	4H815	1	34	Screw, Cap 5/8-11 x 1-1/2 12 Point Flanged	Com'l	2
9	Washer, Thrust	4H816	1	35	Rod End, Adjustable Yoke 1/2 Sae	2708-6A	1
10	Shaft, Clutch Lever	4H817	1	36	Pin with Cotter	230-1776	2
11	Lever, Clutch Rod Shaft	4H818	1	37	Nut, 1/2-20 Castle	Com'l	1
12	Pin, Drive Loc 1/4 x 1/2	109E58	1	38	Key, Woodruff 1/4 x 7/8	Com'l	2
13	Hanger Assembly	4H833	1	39	Pin, Taper No. 7 x 4 Steel	Com'l	2
14	Rod Assembly, Clutch Lever	4H834	1	40	Pin, Std Cotter 3/32 x 1	Com'l	1
15	Clutch and Disc Brake Assembly	4H841	1	41	Bolt, 1/2-20 x 1-3/4 Hex Hd.	Com'l	13
16	Spacer	4H863	1	42	Bolt 1/2-20 x 1 Hex Hd.	Com'l	2
17	Bracket, Winch Mounting	4H904	2	43	Bolt 3/8-24 x 1-1/4 Hex Hd.	Com'l	4
18	Drum Assembly	230-1582W	1	44	Bolt 3/8-24 x 2 Hex Hd.	Com'l	2
19	Gasket	230-1308	1	45	Nut, 5/8-18 Hex	Com'l	16
20	Final Drive Assembly	5H788	1	46	Nut, 1/2-20 Hex	Com'l	13
21*	Drum Shaft Assembly	5H789A	1	47	Nut, 3/8-24 Hex	Com'l	4
22	Frame Assembly	5H791	1	48	Nut, 3/8-24 Hex	Com'l	2
23	Drive & Safey Brake Assembly	5H794	1	49	Washer, Lock 5/8 Sae Med.	Com'l	18
24	Shim (.042)	5H837	A/R	50	Washer, Lock 1/2 Sae Med.	Com'l	15
25	Shim (.036)	5H838	A/R	51	Washer, Lock 3/8 Sae Med.	Com'l	6
26	Shim (.010)	5H839	A/R				

* Includes Part No. Mi 20N Inner Race, Part No. 5100-275 Retaining Ring and Part No. 5103-125 Retaining Ring.

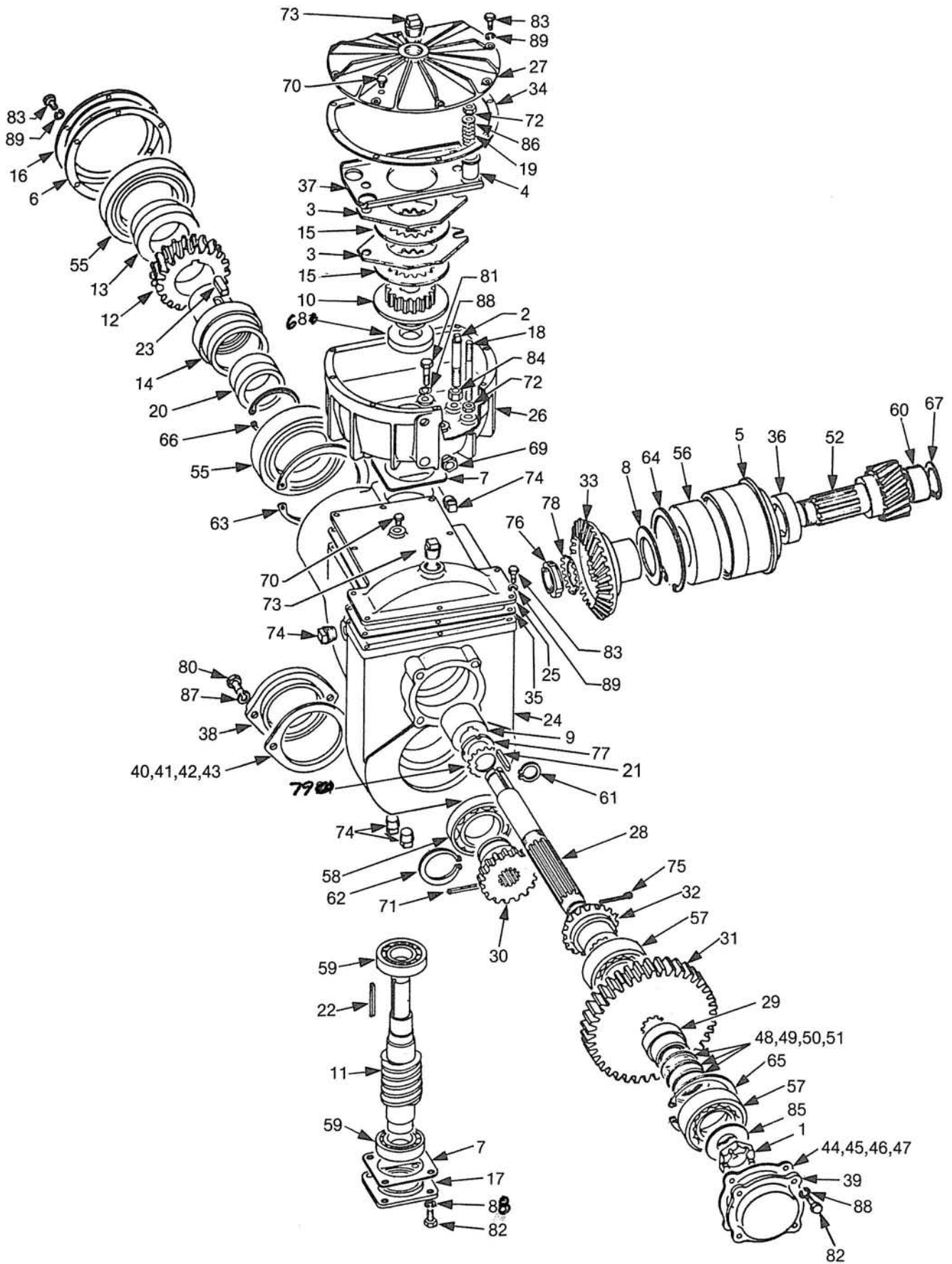


FIG.3 — DRIVE & SAFETY BRAKE ASSEMBLY PARTS DRAWING

5H794

DRIVE AND SAFETY BRAKE ASSEMBLY PARTS LIST

FIG. 3

ITEM	PART NAME	PART NO.	QTY.	ITEM	PART NAME	PART NO.	QTY.
1	Nut	138-S-45	1	46	Shim .015	5H826	A/R
2	Stud, Brake Anchor	110-E-11	2	47	Shim .010	5H827	A/R
3	Plate, Brake Lining	230-1050	2	48	Shim .062	230-1304-4	A/R
4	Spring Thimble	115-E-58	4	49	Shim .031	230-1304-3	A/R
5	Sleeve	4H478	1	50	Shim .015	230-1304-2	A/R
6	Gasket	4H859	1	51	Shim .010	230-1304-1	A/R
7	Gasket	4H862	2	52	Shaft, Drive Pinion	5H833	1
8	Spacer	4H865	1	53	Worm Gear Drive Shaft Assy	4H876A	1
9	Sleeve	4H868	1	54	Safety Brake Housing Assy	5H805A	1
10	Brake Sleeve & Disc Assembly	4H872	1	55	Bearing, Ball	3L18NDP	2
11	Shaft, Worm	4H873	1	56	Bearing, Ball	5213NDP	1
12	Gear, Worm	4H874	1	57	Bearing, Ball	5211NDP	2
13	Sleeve	4H875	1	58	Bearing, Ball	3211NDP	1
14	Shaft, Worm Gear Drive	4H876	1	59	Bearing, Ball	20207	2
15	Brake Disc Assembly	4H877	2	60	Bearing, Outer Race & Roller Assy	GR-24-N	1
16	Cap, Bearing	4H878	1	61	Ring, Retainer	Ext 5100-112	1
17	Cap, Bearing	4H880	1	62	Ring, Retainer	Ext 5100-215	1
18	Stud	4H888	4	63	Ring, Retainer	Int 5000-550	1
19	Spring	4H889	4	64	Ring, Retainer	Int 5000-475	1
20	One-way Clutch Assembly	4H890	1	65	Ring, Retainer	Int 5000-393	1
21	Key	4H892	1	66	Ring, Retainer	Int 5000-281	1
22	Key	4H893	1	67	Ring, Retainer	Int 5000-206	1
23	Key	4H894	1	68	Oil Seal	12637	1
24	Housing	5H803	1	69	Plug, 3/8-18 NPT	Com'l	1
25	Cover	230-1291	1	70	Fitting, Relief	47200	2
26	Housing, Safety Brake	5H805	1	71	Pin, Roll 5/32 x 2-1/2	Com'l	1
27	Cover, Safety Brake Housing	5H806	1	72	Nut, Hex, Self Locking 3/8-24	Com'l	8
28	Drive Shaft	5H807	1	73	Plug, Pipe	3/4-14NPT	2
29	Spacer	5H808	1	74	Plug, Pipe	1/2-14NPT	4
30	Gear	5H809	1	75	Pin, Cotter	1/8 x 3/4	1
31	Gear	5H810	1	76	Nut, Lock Sae N-08	Com'l	1
32	Pinion, Spiral Bevel	5H811	1	77	Nut, Lock Sae N-07	Com'l	1
33	Gear, Spiral Bevel	5H812	1	78	Washer, Lock Sae W-08	Com'l	1
34	Gasket	5H814	1	79	Washer, Lock Sae W-07	Com'l	1
35	Gasket	230-1315	1	80	Screw, Cap, Hex Hd. 1/2-20 x 3/4	Com'l	2
36	Spacer	5H816	1	81	Screw, Cap, Hex Hd. 3/8-24 x 1-1/2	Com'l	4
37	Plate, Pressure	5H817	1	82	Screw, Cap, Hex Hd. 3/8-24 x 3/4	Com'l	8
38	Cap, Bearing	5H818	1	83	Screw, Cap, Hex Hd. 1/4-28 x 3/4	Com'l	26
39	Cap, Bearing	5H819	1	84	Nut, Hex, 1/2-20	Com'l	2
40	Shim .062 (clear)	5H820	A/R	85	Washer, Plain 1-1/4 Sae	Com'l	1
41	Shim, .031 (coral)	5H821	A/R	86	Washer, Plain 3/8	Com'l	4
42	Shim, .015 (pink)	5H822	A/R	87	Washer, Lock 1/2 Med.	Com'l	2
43	Shim, .010 (brown)	5H823	A/R	88	Washer, Lock 3/8 Med.	Com'l	12
44	Shim .062	5H824	A/R	89	Washer, Lock 1/4 Med.	Com'l	26
45	Shim .031	5H825	A/R				

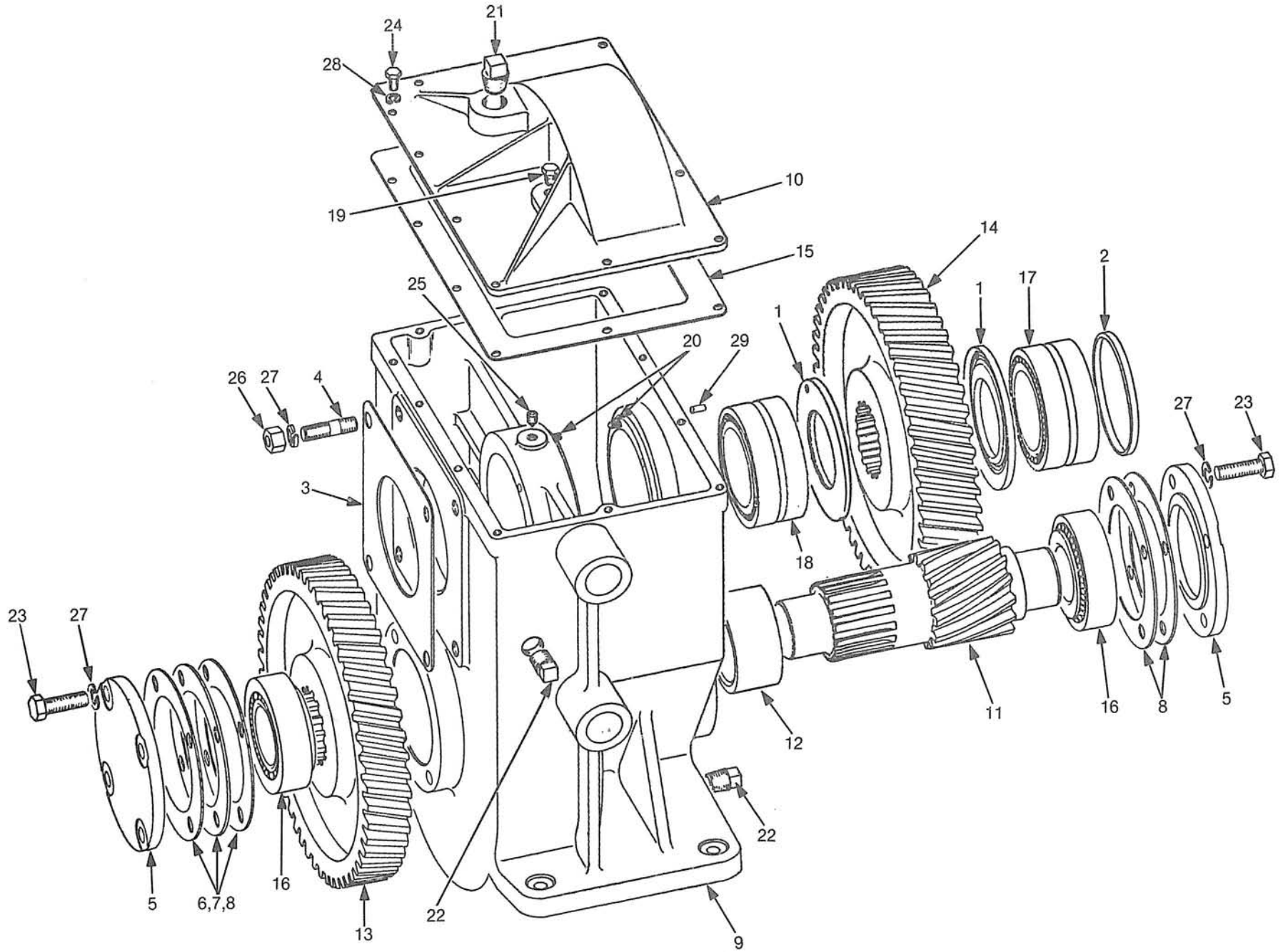


FIG. 4 — FINAL DRIVE ASSEMBLY PARTS DRAWING

5H788

FINAL DRIVE ASSEMBLY PARTS LIST
FIG. 4

ITEM	PART NAME	PART NO.	QTY.	ITEM	PART NAME	PART NO.	QTY.
1	Washer, Thrust	4H852	2	17	Bearing, Roller, Outer Race	GR-52-RS	1
2	Ring	4H847	1		Bearing, Roller, Inner Race	Mi 44	1
3	Gasket	4H848	1	18	Bearing, Roller, Outer Race	GR-52	1
4	Stud	4H849	4		Bearing, Roller, Inner Race	Mi 44	1
5	Cap, Bearing	4H850	2	19	Fitting, Relief	47200	1
6	Shim .020	4H905	A/R	20	Pin, Roll 1/4 x 5/8	Com'l	2
7	Shim .007	4H906	A/R	21	Plug, Pipe 3/4 NPT	Com'l	1
8	Shim .005	4H907	A/R	22	Plug, Pipe 1/2 NPT	Com'l	2
9	Housing	5H795	1	23	Screw, Cap, Hex Hd. 1/2-20 x 1-1/2	Com'l	8
10	Cover	5H796	1	24	Screw, Cap, Hex Hd. 1/4-20 x 1/2	Com'l	11
11	Shaft, Idler	230-1307	1	25	Screw, Set, Socket Hd. 5/16-24 x 1/2	Com'l	1
12	Spacer	5H798	1	26	Nut, Hex 1/2-20	Com'l	4
13	Gear, Helical	5H799	1	27	Washer, Lock 1/2 Sae Med.	Com'l	12
14	Gear, Helical	5H800	1	28	Washer, Lock 1/4 Sae Med.	Com'l	11
15	Gasket	5H801	1	29	Pin, Drive Lock 1/4 x 3/4	Com'l	1
16	Bearing, Taper Roller, Cone	49585	2				
	Bearing, Taper Roller, Cup	49520	2				

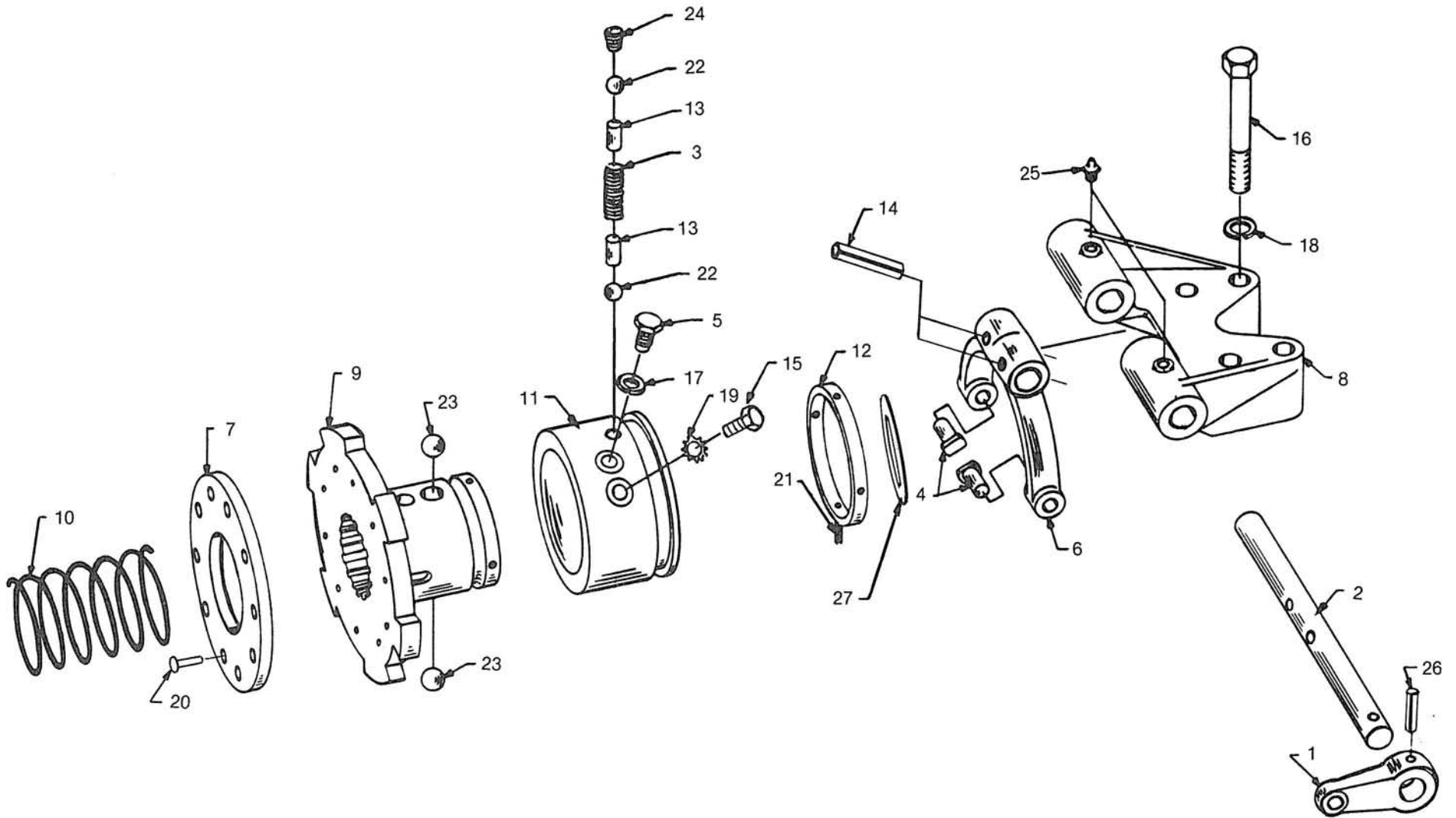


FIG. 5 — CLUTCH & DISC BRAKE ASSEMBLY PARTS DRAWING

4H841

CLUTCH & DISC BRAKE ASSEMBLY PARTS LIST
FIG. 5

ITEM	PART NAME	PART NO.	QTY.	ITEM	PART NAME	PART NO.	QTY.
1	Lever Clutch Yoke Shaft	127-S-18	1	14	Pin, Roll 1/4 x 1-1/2	Com'l	2
2	Shaft, Clutch	230-1534	1	15	Screw, Hex Hd. Cap, 1/2-20x5/8	Com'l	1
3	Spring, Detent	123-E-61	1	16	Screw, Hex Hd. Cap. 5/8-18x4-1/2	Com'l	4
4	Pin	123-E-44	2	17	Washer, Lock, Med, 1/2	Com'l	1
5	Screw, Cap, Detent Sleeve	123-E-60	1	18	Washer, Lock, Med. 5/8	Com'l	4
6	Fork, Clutch Operating	230-1533	1	19	Washer, Lock, Serrated	1124	1
7*	Brake Lining	239-B-60	1	20*	Rivet Tubular Brass 3/16x3/4	Com'l	10
8	Bracket, Clutch Shaft	227-A-4	1	21	Pin, Roll 1/4 x 5/8	Com'l	4
9*	Plate, Clutch & Brake	4H835	1	22	Ball, Hardened Steel 17/32	Com'l	2
10	Spring, Drum Shaft	230-644	1	23	Ball, Hardened Steel 11/16	Com'l	2
11	Sleeve, Detent	1H171	1	24	Plug, Pipe, CSK, 1/2-14 NPT	Com'l	1
12	Stop Ring	123-E-41	1	25	Fitting, Lube	1641B	2
13	Detent	123-E-42	2	26	Pin, Roll 5/16 x 1-3/4	Com'l	1
				27	Washer, Thrust	TRA 4052	1

* NOTE: for Items 7, 9 & 20, Assembled Order Part No. 4H835-A

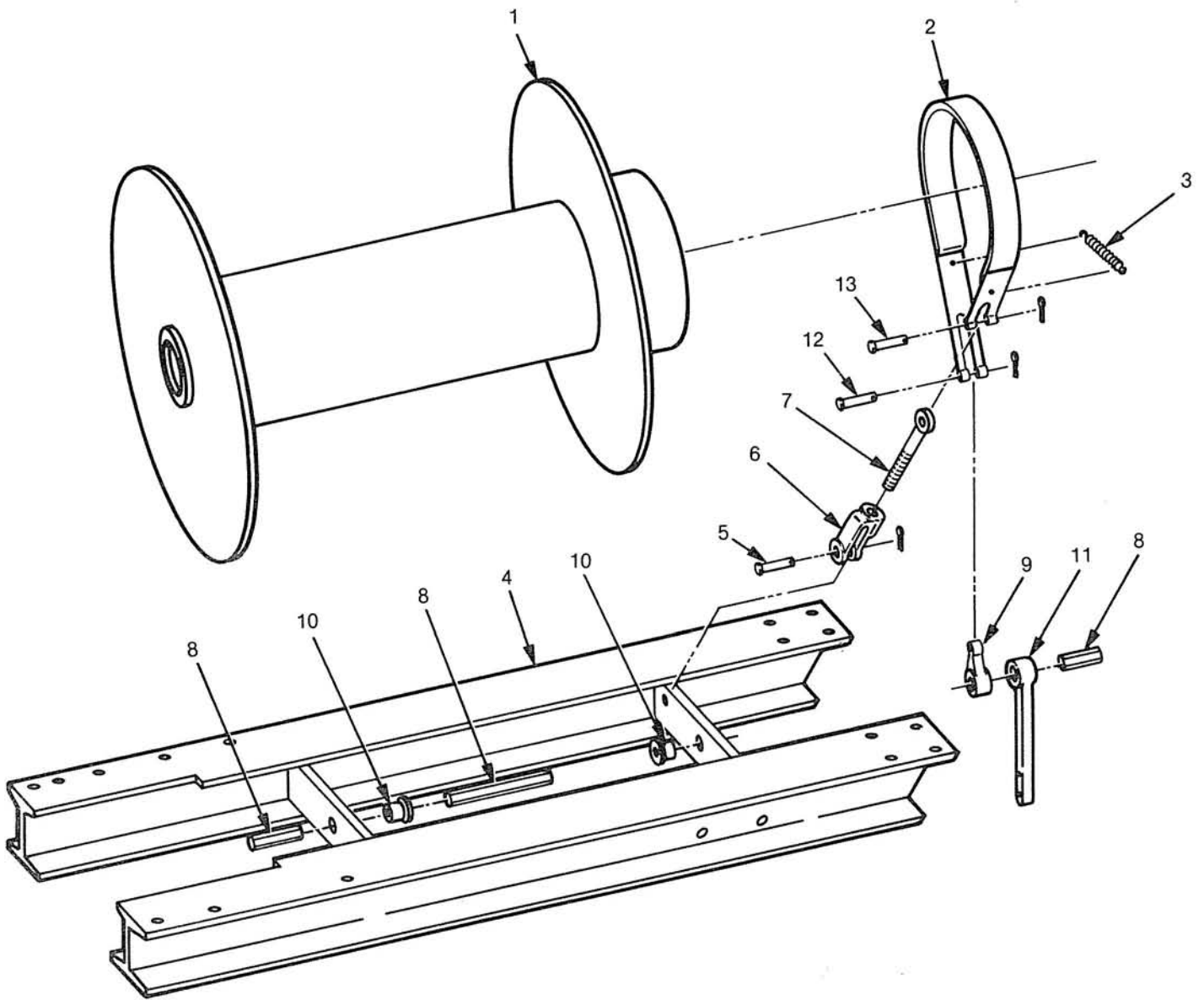


FIG. 6 — BAND BRAKE ASSEMBLY PARTS DRAWING

230-1778

BAND BRAKE ASSEMBLY PARTS LIST
FIG. 6

ITEM	PART NAME	PART NO.	QTY.
1	Drum Assembly	230-1582W	1
2	Band Assembly	230-1771	1
3	Spring	070-079	1
4	Frame Assembly	5H791	1
5	Pin with Cotter	230-1776	1
6	Offset Yoke End	230-1773	1
7	Eye Rod	230-1774	1
8	Hex Shaft	230-1772	1
9	Lever	230-33	1
10	Stop Collar	230-32	2
11	Lever	230-60W	1
12	Pin with Cotter	230-1793	1
13	Pin with Cotter	230-1777	1

NOTE: Model LCD-22 Winch Assemblies manufactured prior to February 15, 1980 have a single control lever for clutch and disc brake.

Model LCD-22 Winch Assemblies manufactured after February 15, 1980 have separate control levers for clutch and band brake.

NOTES

ADAMS EQUIPMENT



A DIVISION OF
GENERAL MACHINE PRODUCTS CO. INC.