



CDe, CD, LCD

Adams® Winch

Rope Winder

Parts and Assembly



TOOLS BUILT TO GO THE DISTANCE

General Machine Products Company, Inc.

3111 Old Lincoln Highway

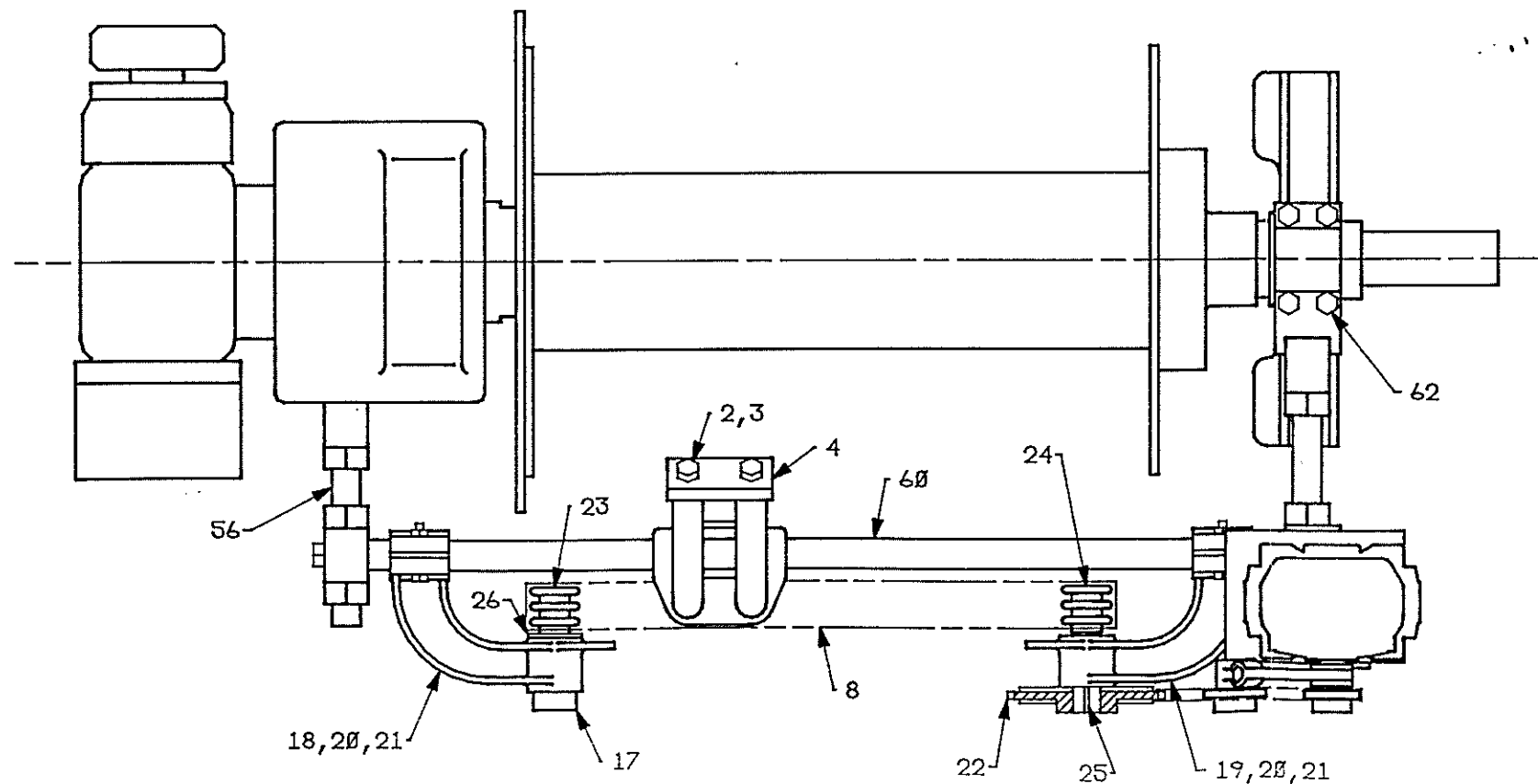
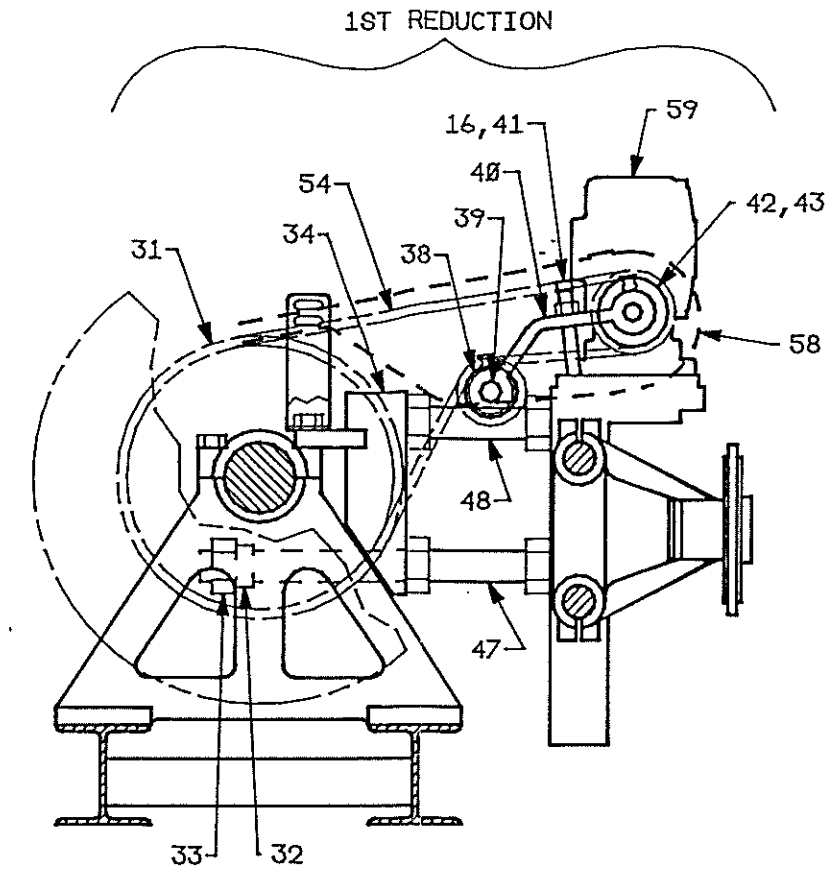
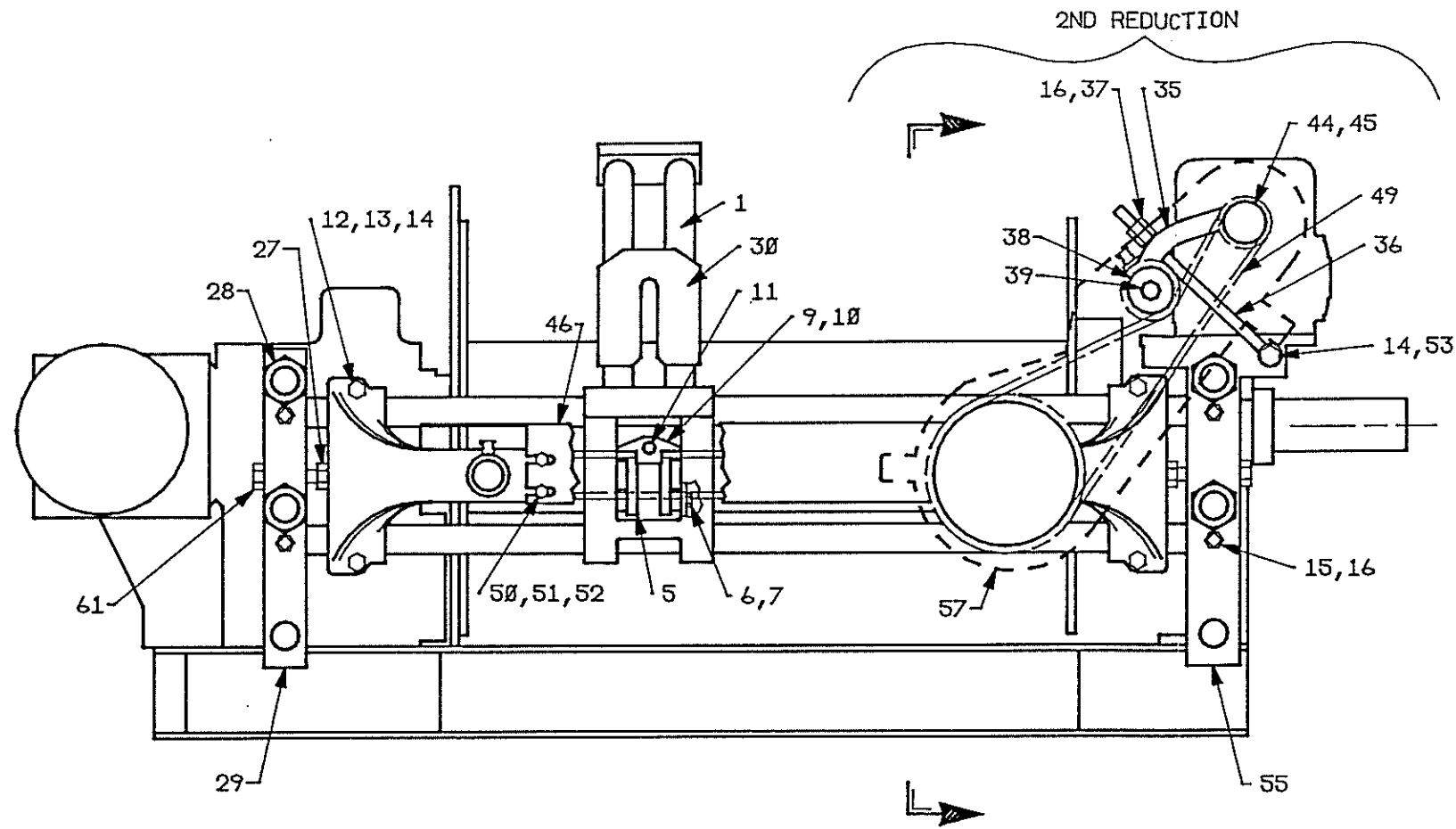
Treose, PA 19053 USA

Tel: +1 215 357 5500


Fax: +1 215 357 6216

Email: info@GMPtools.com

Web: www.GMPtools.com



- NOTES:
1. SOME COMPONENTS NOT SHOWN IN ALL VIEWS FOR CLARITY.
 2. UNDERWIND APPLICATION NOT SHOWN, ALL COMPONENTS FOR OVERWIND AND UNDERWIND ARE IDENTICAL EXCEPT FOR ITEMS 54 AND 58.
 3. REFERENCE PARTS LIST FOR 4H388 ISSUE 2, DATED 2/93.

GENERAL MACHINE PRODUCTS CO. INC. TREVOSSE, PA. 17053		 CAD GENERATED DWG.	
MODEL CH ROPEWINDER FOR MODEL CDe, CD, & LCD WINCHES			
DRAWN BY C.J. KING	DATE 2/93	SCALE NONE	
DWG. NO. 4H388	SHT. 1 OF SHT. 1	ISSUE 2	

GENERAL MACHINE PRODUCTS CO., INC.
3111 OLD LINCOLN HIGHWAY
TREVOSE, PA. 19053

5/93

PAGE 1 OF 4

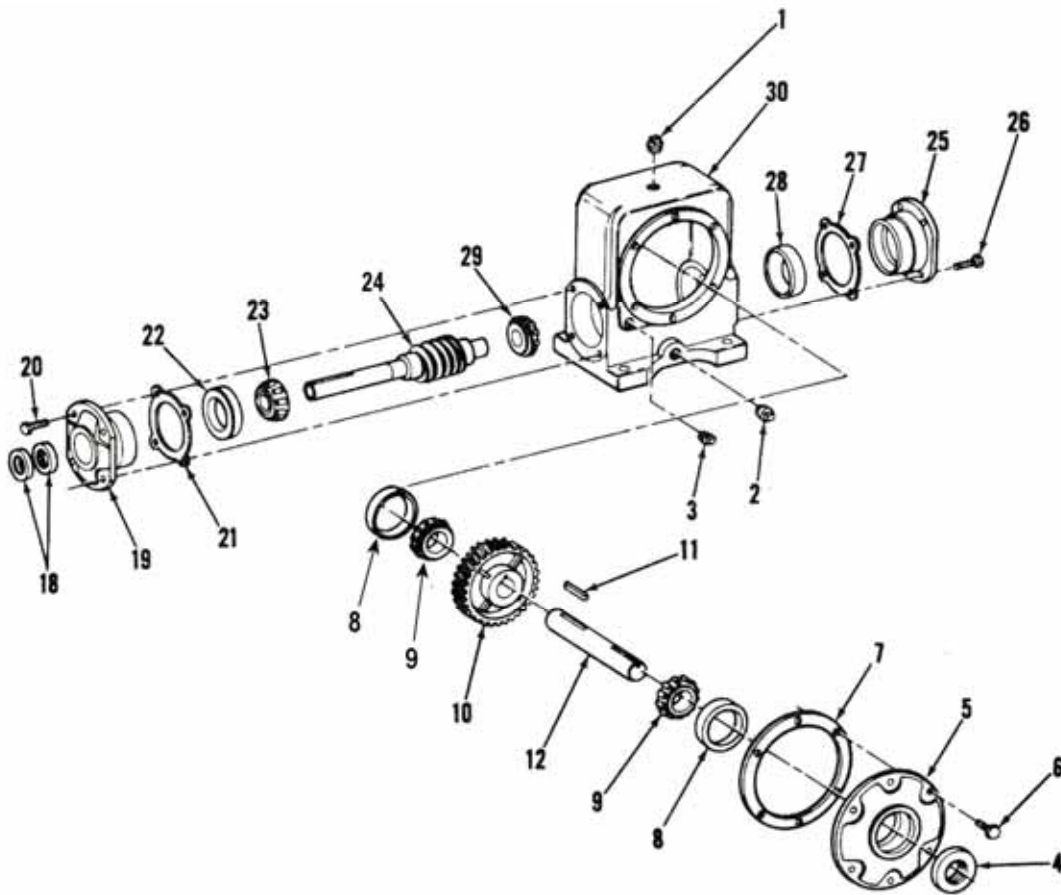
PARTS LIST FOR ADAMS CH LEVELWIND (REF. DWG. 4H388 ISS. 2)				
ITEM NO.	PART NO.	DRAWING NO.	DESCRIPTION	REQ'D QTY.
1	15378	283-B-96	HORN ASS'Y INCLUDES ITEMS 2-3-4	1
2	17535	COMM'L	CAP SCREW-HEX HEAD 5/8-11x1-1/2	2
3	16686	COMM'L	5/8" LOCKWASHER SAE MEDIUM	2
4	24350	230-2039	TIE PLATE	1
5	14926	142-S-4	GUIDE PLATE	2
6	16702	COMM'L	CAP SCREW-HEX HEAD 3/8-24x1-1/4	4
7	16449	COMM'L	3/8" LOCKWASHER SAE MEDIUM	4
8			CROSS CHAIN ASS'Y 5/8" PITCH TRIPLE WIDTH ROLLER CHAIN, INCLUDES ITEMS #9 & #10	
			DRUM WIDTH PITCHES	
	30205	5H204	22-1/2" 69	1
	15589	5H203	28" 86	1
9	14952	230-1336	GUIDE LINK	1
10	14951	142-S-2	CONNECTING PIN	2
11	14927	142-S-5	DRIVING PIN	1
12	16938	COMM'L	CAP SCREW-HEX HEAD 1/2-20x2-1/2	4
13	17591	COMM'L	NUT-HEX 1/2"-20	4
14	9324	COMM'L	1/2" LOCKWASHER SAE MEDIUM	5
15	17526	COMM'L	SET SCREW-SQUARE HEAD 1/2"-13	4
16	17575	COMM'L	NUT-JAM HEX 1/2"-13	7
17	16762	SC-125	COLLAR WITH SET SCREW	1
18	15585	221-A-49	BRACKET ASS'Y RH W/ ITEMS 20&21	1
19	15586	221-A-49	BRACKET ASS'Y LH W/ ITEMS 20&21	1
20	16724	110-B	OIL CUP (F/ITEMS 18&19)	1ea.
21	16723	A1512-13	BUSHING-OILITE(F/ITEMS 18&19)	1ea.
22			2ND REDUCTION DRIVEN SPROCKET W/ SET SCREW FOR 5/8" PITCH ROLLER CHAIN	
			WIRE ROPE DIA. TEETH	
	14972	285-B-2	5/16"-3/8"-9/16" 36	1
	14949	285-B-3	7/16"-1/2" 40	1
23	14925	141-S-100	SPROCKET 10 TEETH, 5/8" PITCH TRIPLE WIDTH ROLLER CHAIN, SHORT	1
24	14924	141-S-99	SPROCKET 10 TEETH, 5/8" PITCH TRIPLE WIDTH ROLLER CHAIN, LONG	1
25	16734	1008	WOODRUFF KEY 5/16"x1" (F/ITEMS 22&24)	1ea

ITEM NO.	PART NO.	DRAWING NO.	DESCRIPTION	REQ'D QTY.
26	14973	230-1556	WASHER-THRUST	2
27	9043	COMM'L	NUT-JAM 5/8"-18	2
28	16733	COMM'L	NUT-JAM 1-1/4"-12	12
29	25057	25057	GUIDE ROD	1
30	15581	283-B-95	ROLLER CAGE ASS'Y (SEE DRAWING)	1
31	14915	283-B-100	SPROCKET (REPLACEMENT) F/ WINCH DRUM 58 TEETH F/ 5/8" PITCH ROLLER CHAIN	1
	24211	283B100-1	SPROCKET AS ABOVE SPLIT F/ASS'Y	1
32	14923	134-S-65	SPACER	1
33	14959	230-1592	NUT-HEX 1-1/4"-12	1
34	15580	221-A-50	ROD SUPPORT	1
35	15593	230-1003A	IDLER BRACKET ASS'Y SECOND REDUCTION INCLUDES: 1 #14965 230-1003 IDLER BRACKET 2 #16724 110-B OIL CUP 1 #16746 AA1110-12 BUSH. OILITE 1 #16747 AA1108-16 BUSH. OILITE	1
36	16744	141-S-98	IDLER ADJUSTING ROD	1
37	9744	COMM'L	1/2" WASHER FLAT	1
38	14962	141-S-95	SPROCKET-IDLER 13 TEETH 5/8" PITCH ROLLER CHAIN W/SET SCREW	2
39	15594	230-1541A	IDLER SHAFT ASSEMBLY -INCLUDES 1 #14966 230-1541 IDLER SHAFT 2 #16748 5160-87 SNAP RING 1 #16749 7/8" I.D. x 1 3/4" O.D x .15 THK. FLAT WASHER	2
40	15591	141-S-96A	IDLER BRACKET ASSEMBLY FIRST REDUCTION - INCLUDES 1 #14961 141-S-96 IDLER BRACKET 2 #16724 110-B OIL CUP 1 #16743 A1106-3 BUSH. OILITE 1 #16742 A1108-10 BUSH. OILITE	
41	17888	COMM'L	SQUARE HEAD ROUND POINT SET SCREW 1/2"-13 x 4" LONG	1
42			FIRST REDUCTION DRIVEN SPROCKET W/ SET SCREW, 5/8" PITCH ROLLER CHAIN	1
	16766	141-S-88	WIRE ROPE DIA. 5/16"	TEETH 23
	16892	141-S-89	3/8"	19
	16738	141-S-90	7/16"	16
	16760	141-S-91	1/2"	14
	16760	141-S-91	9/16"	14

ITEM NO.	PART NO.	DRAWING NO.	DESCRIPTION	REQ'D QTY.
43	17839	COMM'L	KEY 3/16" SQUARE x 1-1/4" LONG	1
44			SECOND REDUCTION DRIVE SPROCKET WITH SET SCREW, 5/8" ROLLER CHN	1
	16767	141-S-92	WIRE ROPE DIA. 5/16" & 3/8"	11
	16739	141-S-93	7/16"-1/2"-9/16"	12
45	16751	COMM'L	KEY 1/4" SQUARE x 1" LONG	1
46	14977	5H198	CROSS CHAIN GUARD 22-1/2" DRUM (CDe & LCD WINCHES)	1
	14971	5H197	CROSS CHAIN GUARD 28" DRUM (CDe WINCH)	1
47	14936	280-B-49	ADJUSTING ROD	1
48	14937	280-B-50	ADJUSTING ROD	1
49	14967		SECOND REDUCTION CHAIN 5/8" ROLLER CHAIN 80 PITCHES FOR ALL WIRE ROPE DIAMETERS 5/16"-9/16" INCLUDING CONNECTING LINK FOR LCD22-CDe22-CDe28 WINCHES	1
50	16727	COMM'L	CAP SCREW HEX HEAD 5/16-24x3/4"	4
51	5040	COMM'L	5/16" LOCKWASHER SAE MEDIUM	4
52	2244	COMM'L	3/8" FLAT WASHER	4
53	14963	230-1601	STUD	1
54			FIRST REDUCTION CHAIN 5/8" ROLLER CHAIN INCLUDE CONNECTING LINK FOR LCD22-CDe22-CDe28	1
	14968		FOR ALL WIRE DIA'S 5/16"-9/16" 93 PITCHES 5/8" ROLLER CHAIN (OVERWIND APPLICATIONS)	
	25236		FOR ALL WIRE DIA'S 5/16"-9/16" 107 PITCHES 5/8" ROLLER CHAIN (UNDERWIND APPLICATIONS)	
55	30145	30145	MAIN DRIVE SUPPORT	1
56	14960	230-1247	ADJUSTING ROD	2
57	14969	230-1004A	CHAIN GUARD SECOND REDUCTION WITH BRACKETS F/CDe&LCD WINCHES	1

ITEM NO.	PART NO.	DRAWING NO.	DESCRIPTION	REQ'D QTY.
58	14970	230-1006A	CHAIN GUARD FIRST REDUCTION WITH BRACKETS F/CDe&LCD WINCHES WITH MECHANICAL CLUTCH PRE 1993	1
	30068	230-1006B	CHAIN GUARD FIRST REDUCTION WITH BRACKETS F/ CDe WINCHES WITH FACTORY AIR SHIFT CLUTCHES MANUFACTURED 1993 OR AFTER FOR UNDERWIND LEVELWIND INCLUDE	1
	25667	25667	CHAIN GUARD EXTENSION - FIRST REDUCTION	1
59	14964	220-5	REDUCER ASSEMBLY RIGHT-HAND (SEE DRAWING 220-5)	1
60	14974	5H201	GUIDE BAR 40-1/2" LONG CDe22 & LCD WINCHES	2
	14950	5-H-200	GUIDE BAR 46" LONG CDE28 WINCH	2
61	30286	142-S-9	ADJUSTING ROD 4" LONG CDE 22&28	2
62	25340	COMM'L	CAP SCREW HEX HEAD 5/8"11x 3"LG	2

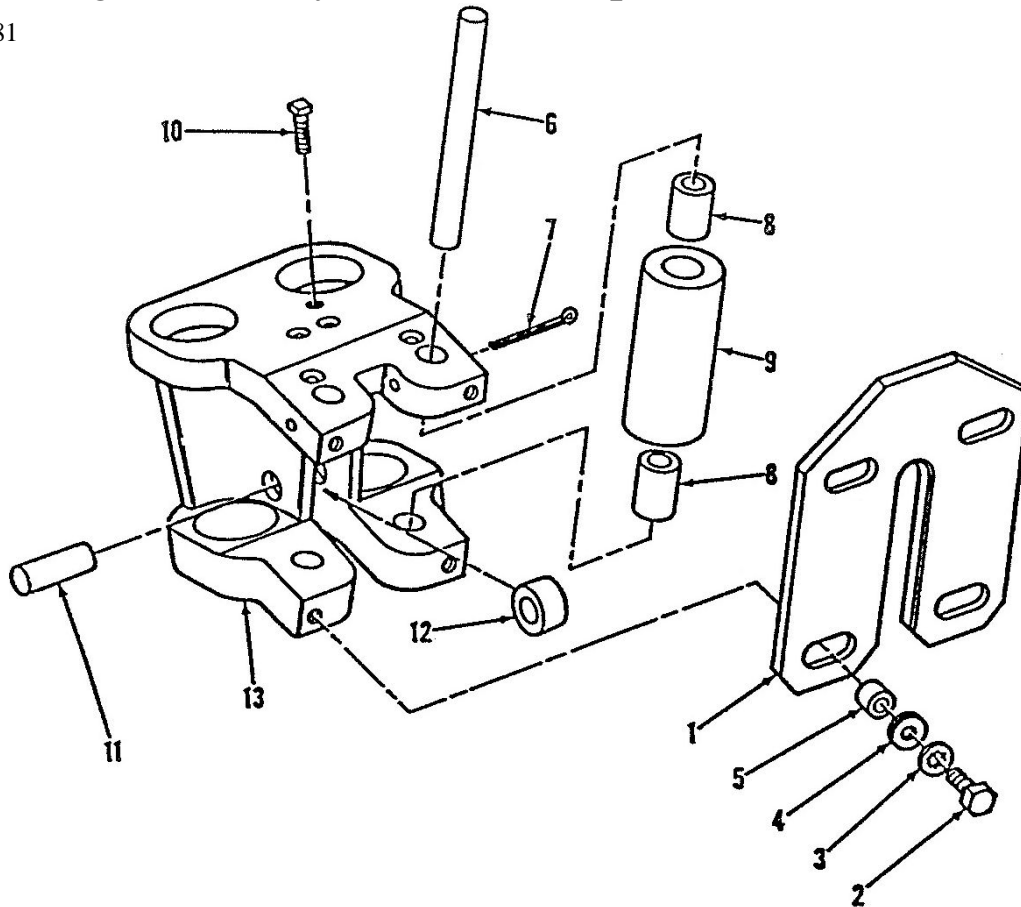
Winch Rope Winder Reducer Assembly



Item #	Part #	Description	Qty.	Item #	Part #	Description	Qty.
1	15982	Plug, Breather	1	17	xx	Not used	
2	16442	Plug, Drain	1	18	16447	Seal, Oil	2
3	16888	Plug, Oil	1	19	15975	Carrier, Open Bearing	1
4	16448	Seal, Oil	1	20	16033	Bolt, Hex Hd 5/16-18x3/4	4
5	15976	Carrier, Open Bearing	1	21	17140	Gasket, Shim .005 (blue)	AR
6	16033	Bolt, Hex Hd 5/16-18x3/4	6	21	15980	Gasket, Shim .020 (yellow)	AR
7	15981	Gasket	AR	22	16446	Cup	1
8	16445	Cup	2	23	16444	Cone	1
9	16443	Cone	2	24	15965	Shaft, Worm	1
10	15977	Gear, Worm	1	25	15973	Carrier, Closed Bearing	1
11	15978	Key	1	26	16033	Bolt, Hex Hd 5/16-18x3/4	4
12	15979	Shaft, Worm Gear	1	27	17140	Gasket, Shim .005 (blue)	AR
13	xx	Not used		27	15980	Gasket, Shim .020 (yellow)	AR
14	xx	Not used		28	16446	Cup	1
15	xx	Not used		29	16444	Cone	1
16	xx	Not used		30	15974	Housing	1

Roller Cage Assembly for Winch Rope Winder

P/N 15581



Item #	Part #	Description	Qty.	Item #	Part #	Description	Qty.
1	14942	Guard, Roller	1	8*	16725	Bushing, Oilite	4
2	16727	Screw, Hex Hd, 5/16-24x3/4	4	9*	14938	Roller	2
3	02878	Washer, Internal Lock	4	10	16728	Screw, Sq. Hd. Cup Pt 1/4-20x3/4	1
4	02244	Washer, Plain 3/8	4	11	14940	Shaft, Guide Roller	2
5	14943	Spacer	4	12	14939	Roller, Guide	2
6	14941	Shaft, Side Roller	2	13	14944	Cage, Roller	1
7	16726	Pin, Cotter, 1/8 dia x 1 3/4	2	14	79144	Pin, SL	1

* Note: Items 8 and 9 sold as assembly P/N 15613